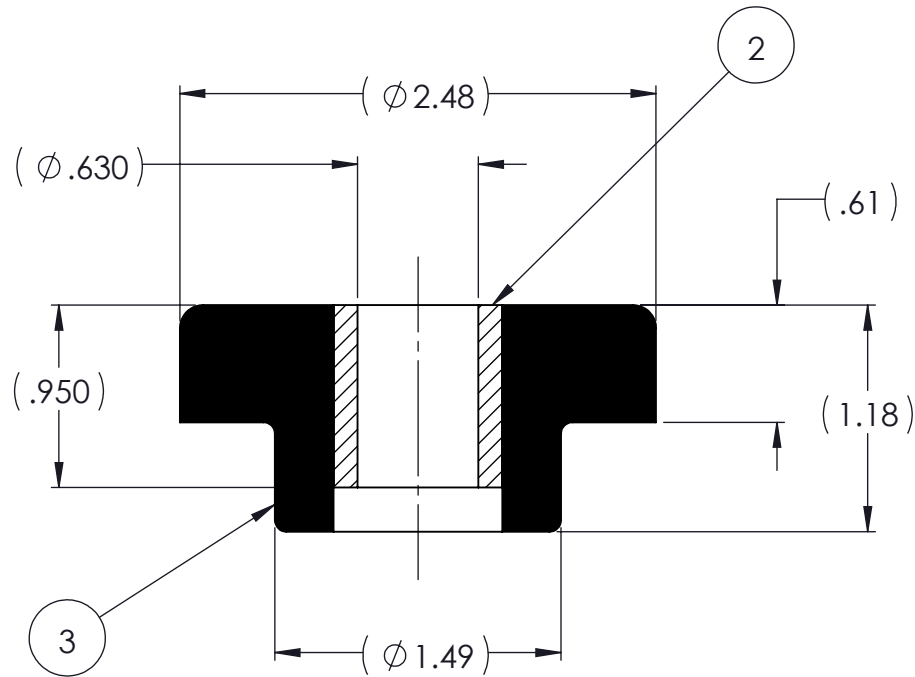
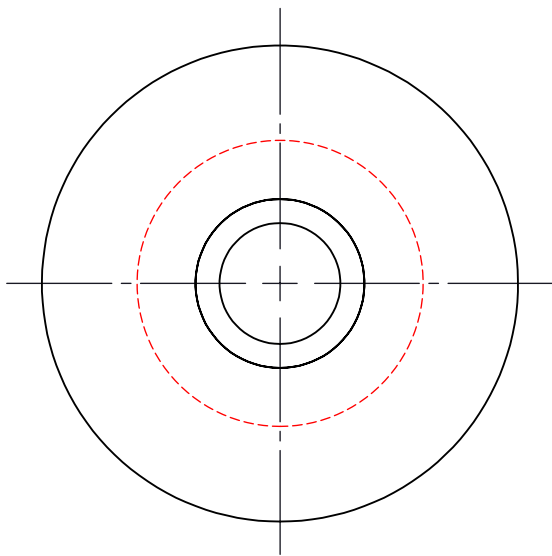


REVISIONS			
REV.	DESCRIPTION	DATE	APPROVED
1	INITIAL RELEASE OF DRAWING	10/14/2014	BS



NOTES:

- 1 MATERIAL: ELASTOMER AND DUROMETER OF 40, 50, 60 OR 70 TO BE SPECIFIED.
- 2 ALL DIMENSIONS ARE REFERENCE.

AR	DESCRIPTION	PART NUMBER	MATERIAL OR NOTES	ITEM
AR	ELASTOMER	K20-6-3		3
1	MK20-6	MK20-6		2
	K20-6	K20-6		1

PROPRIETARY AND CONFIDENTIAL THE INFORMATION CONTAINED IN THIS DRAWING IS THE SOLE PROPERTY OF KARMAN RUBBER. ANY REPRODUCTION IN PART OR AS A WHOLE WITHOUT THE WRITTEN PERMISSION OF KARMAN RUBBER IS PROHIBITED.	SIGNATURE		DATE
	DRAWN	B. SENECAI	10/14/2014
	CHECK	S. BROWN	10/14/2014
	ENGR	B. SENECAI	10/14/2014
	QA		
STRESS			
APPR			

UNLESS OTHERWISE SPECIFIED:  
DIMENSIONS ARE IN INCHES  
TOLERANCES:  
.X =  
.XX = ± 0.031  
.XXX =  
ANGLES = ± 1°  
INTERPRET GEOMETRIC TOLERANCING PER: ASME Y14.5M-1994



TITLE: K20-6 SERIES VIBRO-INSULATOR WWW.KARMAN.COM		DWG. NO. K20-6		REV 1
SIZE B	CAGE CODE	SCALE: 1:1	WEIGHT: N/A	SHEET 1 OF 1

DO NOT SCALE DRAWING