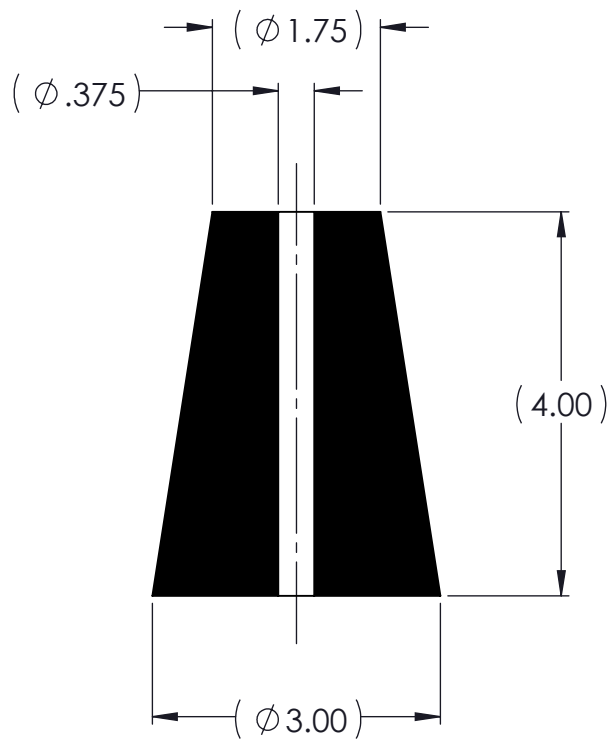
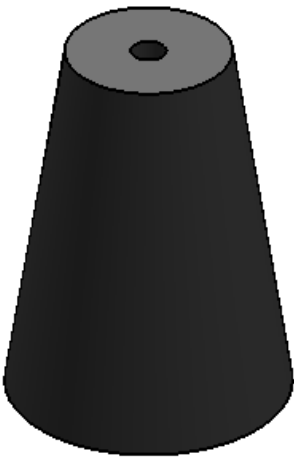
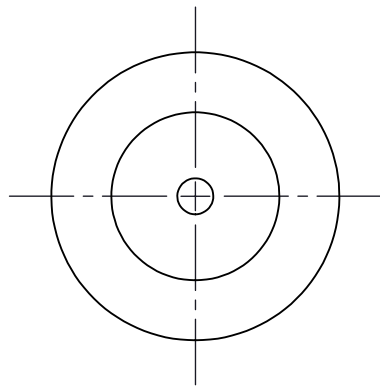


REVISIONS			
REV.	DESCRIPTION	DATE	APPROVED
1	INITIAL RELEASE OF DRAWING	10/22/2014	BS



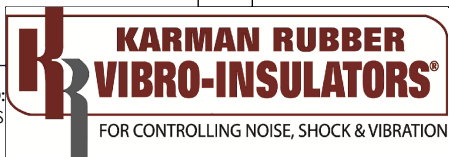
NOTES:

- 1 MATERIAL: ELASTOMER AND DUROMETER TO BE SPECIFIED.
- 2 ALL DIMENSIONS ARE REFERENCE.

**PROPRIETARY AND CONFIDENTIAL**  
 THE INFORMATION CONTAINED IN THIS DRAWING IS THE SOLE PROPERTY OF KARMAN RUBBER. ANY REPRODUCTION IN PART OR AS A WHOLE WITHOUT THE WRITTEN PERMISSION OF KARMAN RUBBER IS PROHIBITED.

	SIGNATURE	DATE
DRAWN	B. SENEAL	10/22/2014
CHECK	S. BROWN	10/22/2014
ENGR	B. SENEAL	10/22/2014
QA		
STRESS		
APPR		

**UNLESS OTHERWISE SPECIFIED:**  
 DIMENSIONS ARE IN INCHES  
 TOLERANCES:  
 .X =  
 .XX = ± 0.031  
 .XXX =  
 ANGLES = ± 1°  
 INTERPRET GEOMETRIC TOLERANCING PER: ASME Y14.5M-1994



TITLE: **KTP4 SERIES TAPERED PLUGS**  
[WWW.KARMAN.COM](http://WWW.KARMAN.COM)

QTY.	DESCRIPTION	PART NUMBER	MATERIAL OR NOTES	ITEM
	KTP4	KTP4		1

SIZE	CAGE CODE	DWG. NO.	REV
<b>B</b>		<b>KTP4</b>	<b>1</b>

DO NOT SCALE DRAWING    SCALE: 1:2    WEIGHT: 10.2 OZ    SHEET 1 OF 1