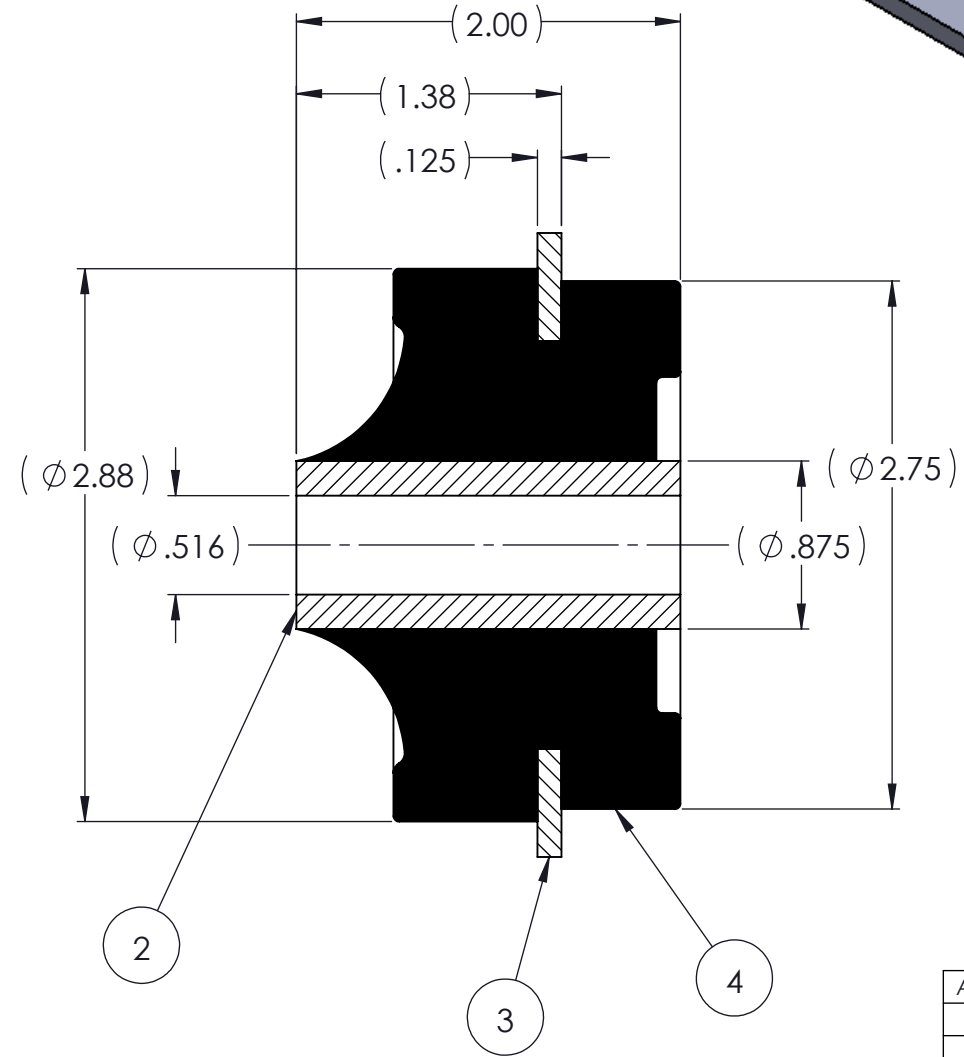
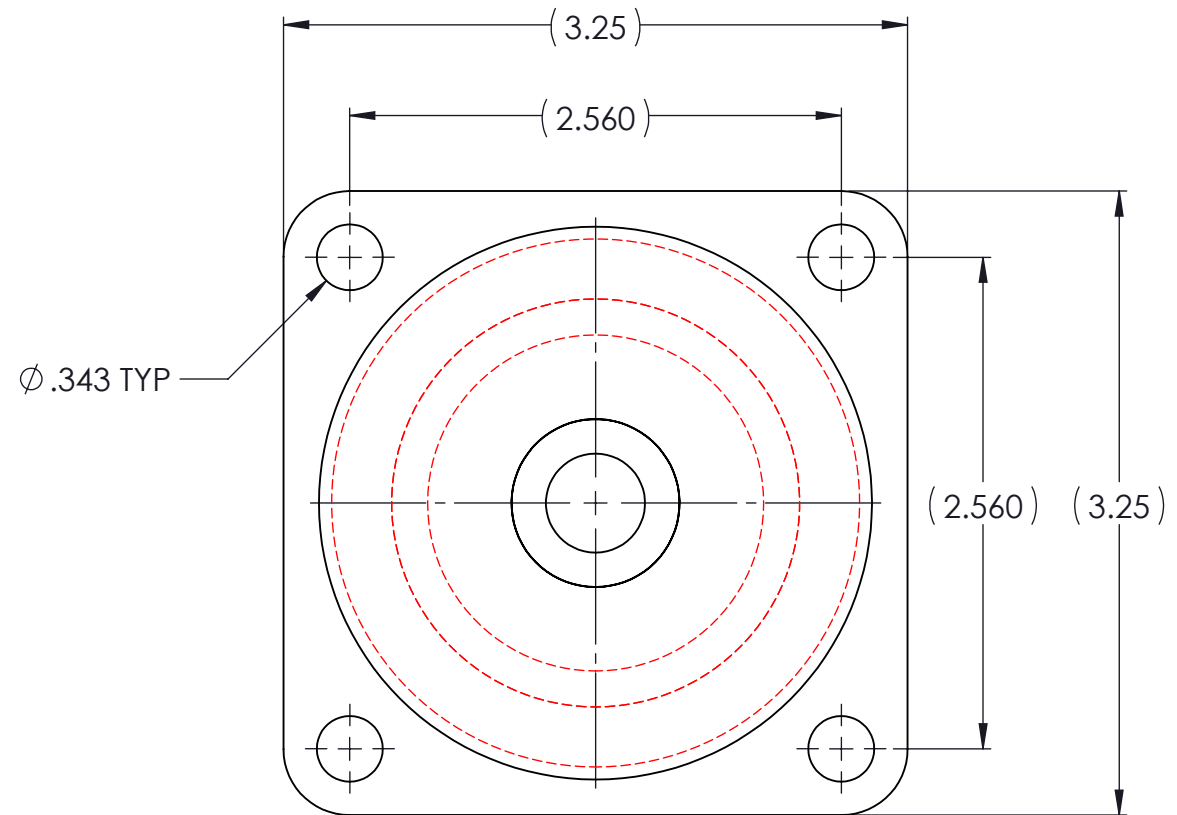
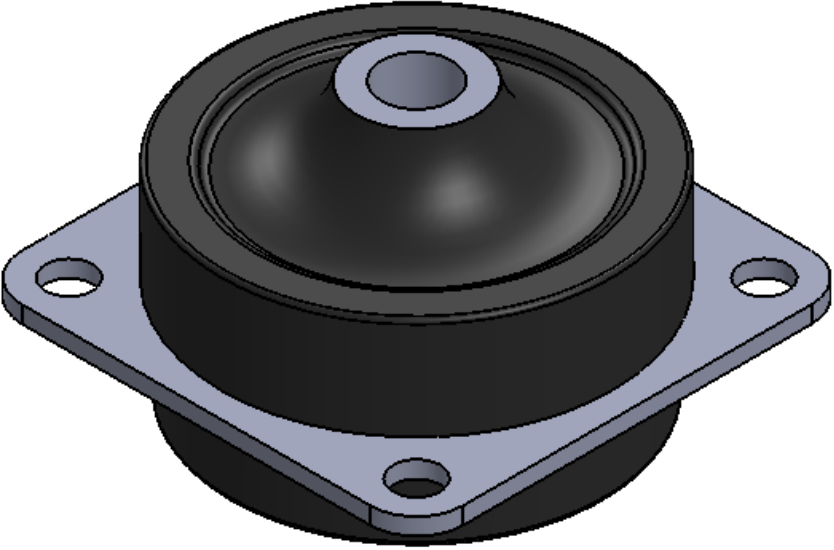


| REVISIONS | | | |
|-----------|----------------------------|-----------|----------|
| REV. | DESCRIPTION | DATE | APPROVED |
| 1 | INITIAL RELEASE OF DRAWING | 8/26/2014 | BS |



NOTES:

- 1 MATERIAL: ELASTOMER AND DUROMETER OF 40, 50, 60 OR 07 TO BE SPECIFIED.
- 2 ALL DIMENSIONS ARE REFERENCE.

| QTY. | DESCRIPTION | PART NUMBER | MATERIAL OR NOTES | ITEM |
|------|-------------|-------------|-------------------|------|
| AR | ELASTOMER | K95-4 | 1 | 4 |
| 1 | MK950B | MK950B | | 3 |
| 1 | MK950A | MK950A | | 2 |
| | K95 | K95 | | 1 |

| PROPRIETARY AND CONFIDENTIAL THE INFORMATION CONTAINED IN THIS DRAWING IS THE SOLE PROPERTY OF KARMAN RUBBER. ANY REPRODUCTION IN PART OR AS A WHOLE WITHOUT THE WRITTEN PERMISSION OF KARMAN RUBBER IS PROHIBITED. | SIGNATURE | | DATE |
|--|-----------|-----------|------------|
| | DRAWN | B. SENEAL | 08/26/2014 |
| | CHECK | S. BROWN | 08/26/2014 |
| | ENGR | B. SENEAL | 08/26/2014 |
| | QA | | |
| STRESS | | | |
| APPR | | | |

UNLESS OTHERWISE SPECIFIED:
DIMENSIONS ARE IN INCHES
TOLERANCES:
.X = ± 0.031
.XXX = ± 0.0031
ANGLES = ± 1°
INTERPRET GEOMETRIC TOLERANCING PER: ASME Y14.5M-1994



TITLE: **K95 SERIES VIBRO-INSULATOR**
WWW.KARMAN.COM

| | | | |
|----------------------|-----------|---------------------|--------------------------------|
| SIZE B | CAGE CODE | DWG. NO. K95 | REV 1 |
| DO NOT SCALE DRAWING | | SCALE: 1:1 | WEIGHT: 11.65 OZ. SHEET 1 OF 1 |