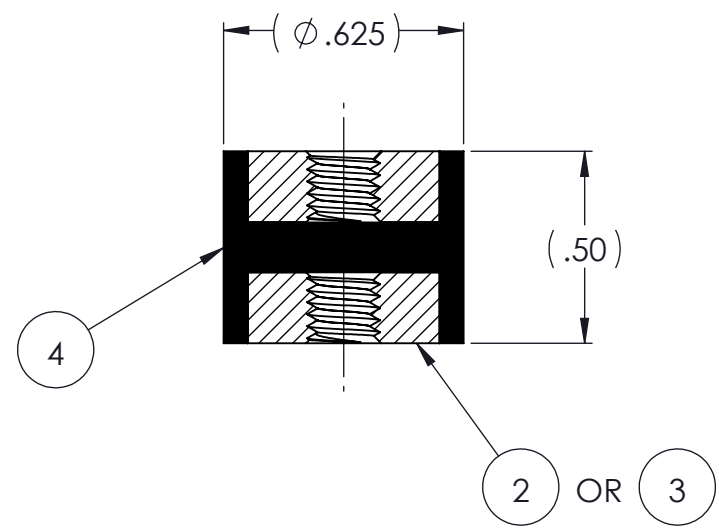
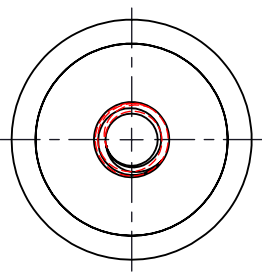
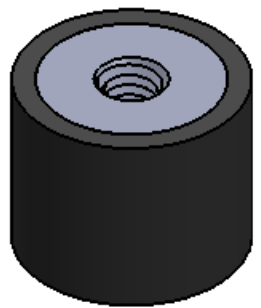


REVISIONS			
REV.	DESCRIPTION	DATE	APPROVED
1	INITIAL RELEASE OF DRAWING	9/26/2014	BS



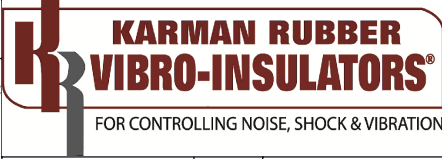
QTY.	DESCRIPTION	PART NUMBER	MATERIAL OR NOTES	ITEM
	AR ELASTOMER	K87-4	$\triangle 1$	4
2	MK830-M4	MK830-M4		3
2	MK830TW	MK830TW		2
	K87	K87		1

NOTES:

- $\triangle 1$  MATERIAL: ELASTOMER AND DUROMETER OF 40, 50, 60 OR 70 TO BE SPECIFIED.
- 2 ALL DIMENSIONS ARE REFERENCE.
- 3 AVAILABLE WITH THREADS OF 8/32 UNC AND M4 X .7.

PROPRIETARY AND CONFIDENTIAL THE INFORMATION CONTAINED IN THIS DRAWING IS THE SOLE PROPERTY OF KARMAN RUBBER. ANY REPRODUCTION IN PART OR AS A WHOLE WITHOUT THE WRITTEN PERMISSION OF KARMAN RUBBER IS PROHIBITED.	SIGNATURE		DATE
	DRAWN	B. SENECAI	09/26/2014
	CHECK	S. BROWN	09/26/2014
	ENGR	B. SENECAI	09/26/2014
	QA		
	STRESS		
APPR			

UNLESS OTHERWISE SPECIFIED:  
DIMENSIONS ARE IN INCHES  
TOLERANCES:  
.X =  
.XX =  $\pm 0.031$   
.XXX =  
ANGLES =  $\pm 1^\circ$   
INTERPRET GEOMETRIC TOLERANCING PER: ASME Y14.5M-1994



TITLE: **K87 SERIES VIBRO-INSULATOR**  
WWW.KARMAN.COM

SIZE	CAGE CODE	DWG. NO.	REV
<b>B</b>		<b>K87</b>	<b>1</b>
DO NOT SCALE DRAWING		SCALE: 2:1	WEIGHT: .35 OZ.
		SHEET 1 OF 1	