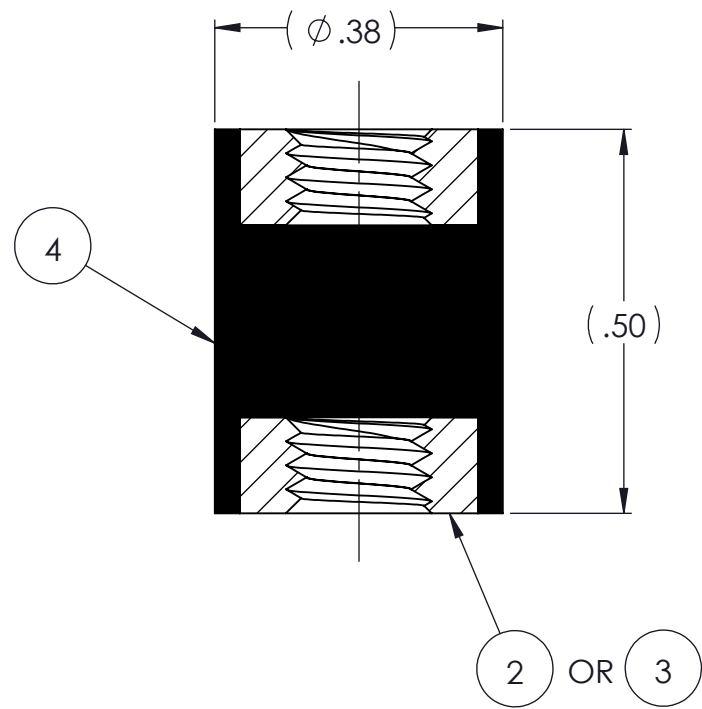
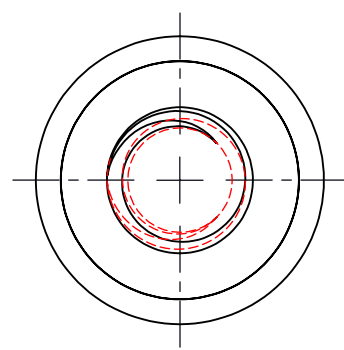
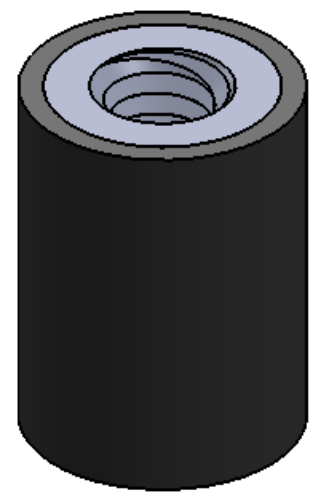


REVISIONS			
REV.	DESCRIPTION	DATE	APPROVED
1	INITIAL RELEASE OF DRAWING	9/26/2014	BS



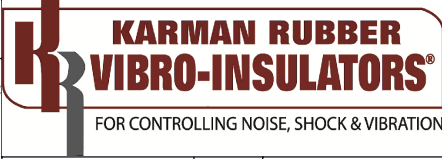
AR	DESCRIPTION	PART NUMBER	MATERIAL OR NOTES	ITEM
AR	ELASTOMER	K86-4	$\triangle 1$	4
2	MK810-M4	MK810-M4		3
2	MK810	MK810		2
	K86	K86		

NOTES:

- $\triangle 1$ MATERIAL: ELASTOMER AND DUROMETER OF 40, 50, 60 OR 70 TO BE SPECIFIED.
- 2 ALL DIMENSIONS ARE REFERENCE.
- 3 AVAILABLE WITH THREADS OF 8-32 UNC AND M4 X .7.

PROPRIETARY AND CONFIDENTIAL THE INFORMATION CONTAINED IN THIS DRAWING IS THE SOLE PROPERTY OF KARMAN RUBBER. ANY REPRODUCTION IN PART OR AS A WHOLE WITHOUT THE WRITTEN PERMISSION OF KARMAN RUBBER IS PROHIBITED.	SIGNATURE		DATE
	DRAWN	B. SENECAI	09/26/2014
	CHECK	S. BROWN	09/26/2014
	ENGR	B. SENECAI	09/26/2014
	QA		
STRESS			
APPR			

UNLESS OTHERWISE SPECIFIED:
DIMENSIONS ARE IN INCHES
TOLERANCES:
.X =
.XX = ± 0.031
.XXX =
ANGLES = $\pm 1^\circ$
INTERPRET GEOMETRIC TOLERANCING PER: ASME Y14.5M-1994



TITLE: **K86 SERIES VIBRO-INSULATOR**
WWW.KARMAN.COM

SIZE	CAGE CODE	DWG. NO.	REV
B		K86	1
DO NOT SCALE DRAWING		SCALE: 4:1	WEIGHT: .10 OZ.
		SHEET 1 OF 1	