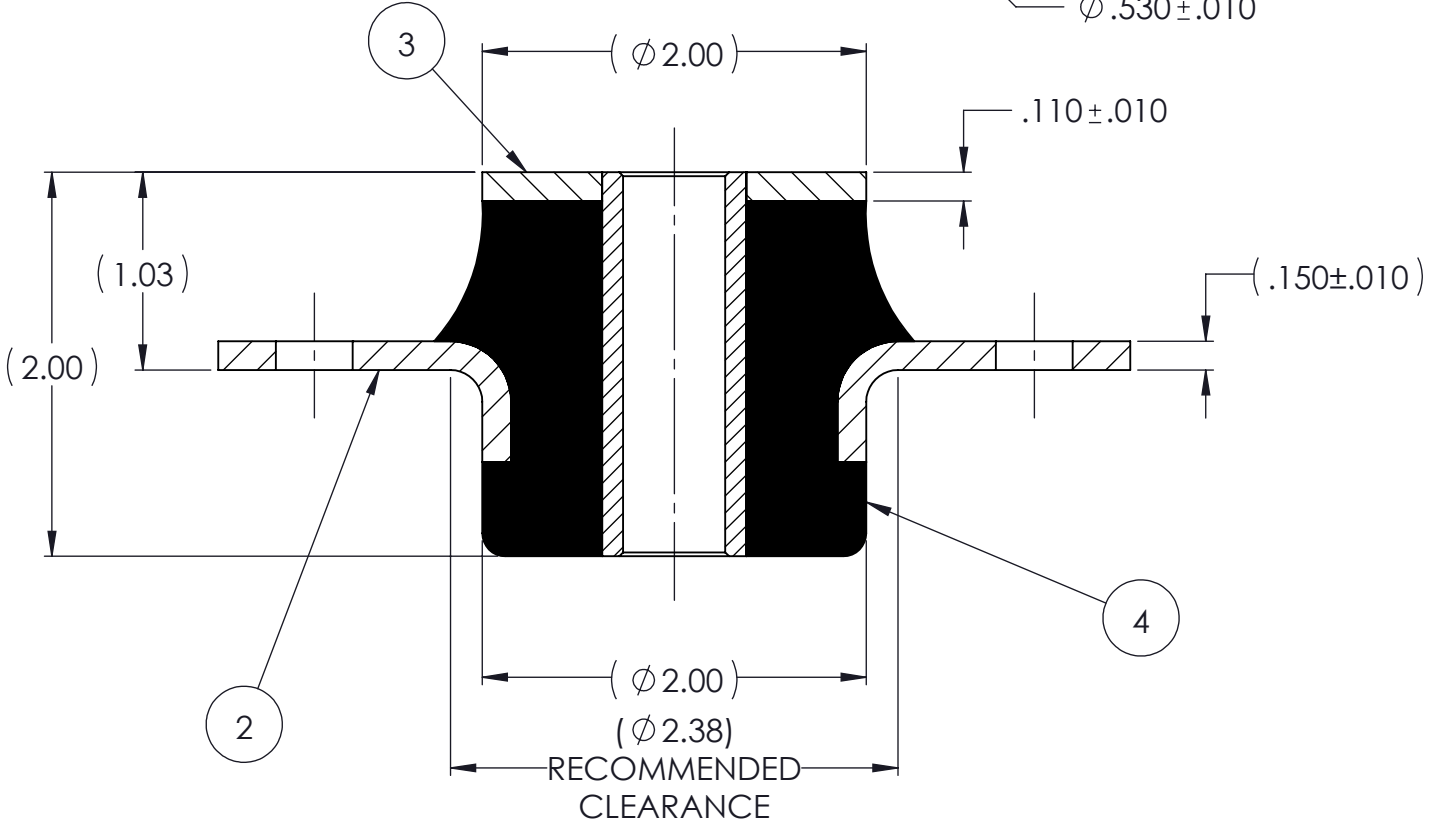
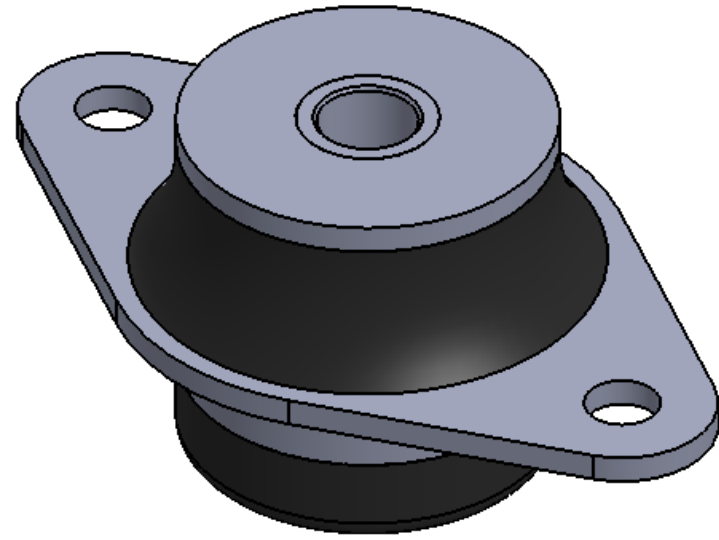
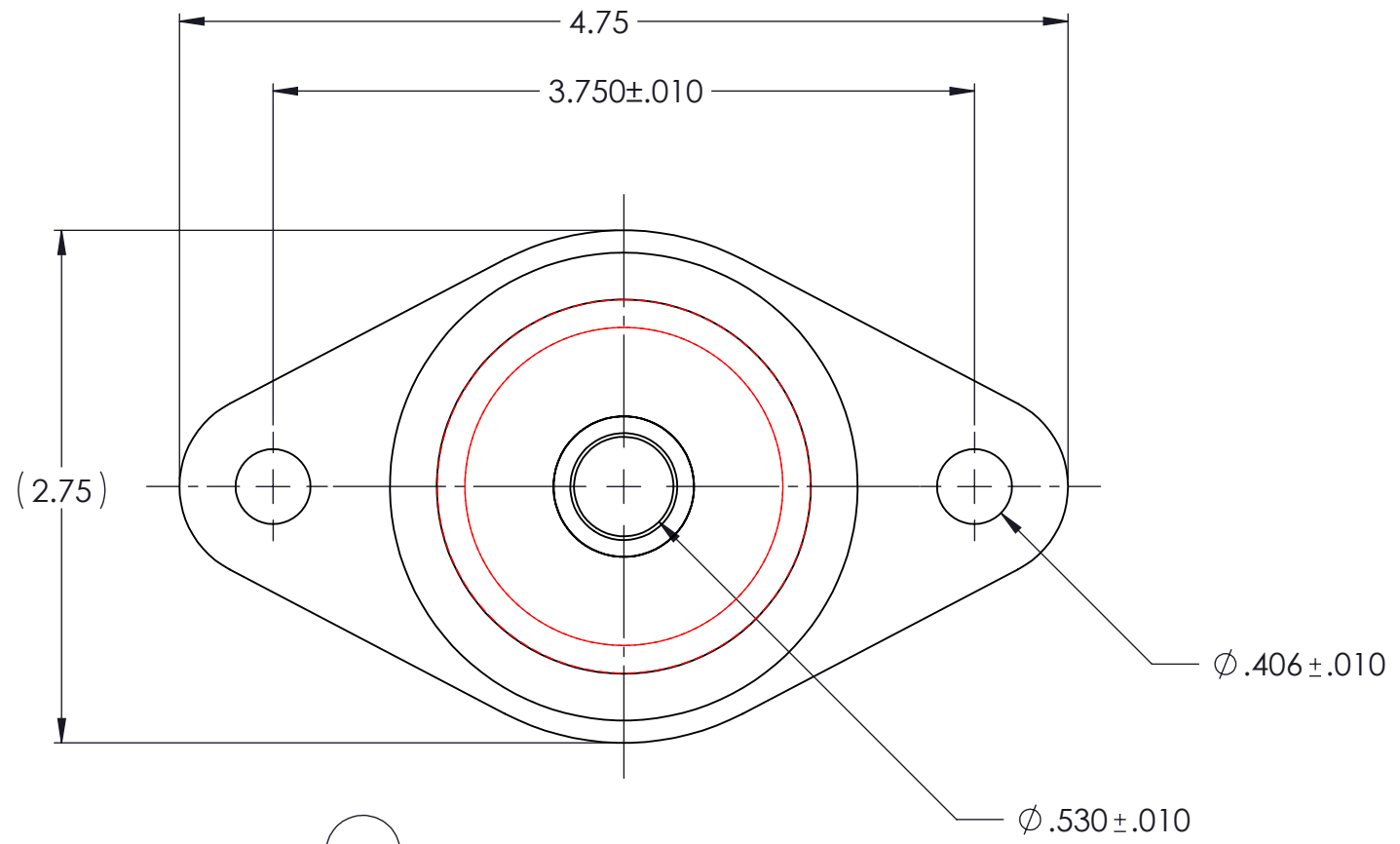


REVISIONS			
REV.	DESCRIPTION	DATE	APPROVED
1	INITIAL RELEASE OF DRAWING	9/2/2014	BS
2	MOVE 2.75 DIMENSION. $\phi 2.38$ RECOMMENDED CLEARANCE WAS $\phi 2.38$ MIN CLEARANCE.	9/23/2014	BS



QTY.	DESCRIPTION	PART NUMBER	MATERIAL OR NOTES	ITEM
AR	ELASTOMER	K7040-4	⚠	4
1	MK7040B	MK7040B		3
1	MK7040A	MK7040A		2
	K7040	K7040		1

NOTES:
 1 MATERIAL: ELASTOMER AND DUROMETER OF 40, 50, 60 OR 70 TO BE SPECIFIED.
 2 ALL DIMENSIONS ARE REFERENCE.

PROPRIETARY AND CONFIDENTIAL		SIGNATURE	DATE
THE INFORMATION CONTAINED IN THIS DRAWING IS THE SOLE PROPERTY OF KARMAN RUBBER. ANY REPRODUCTION IN PART OR AS A WHOLE WITHOUT THE WRITTEN PERMISSION OF KARMAN RUBBER IS PROHIBITED.	DRAWN	B. SENECAI	09/02/2014
	CHECK	S. BROWN	09/02/2014
	ENGR	B. SENECAI	09/02/2014
	QA		
	STRESS		
	APPR		

UNLESS OTHERWISE SPECIFIED:
 DIMENSIONS ARE IN INCHES
 TOLERANCES:
 .X =
 .XX = ± 0.031
 .XXX =
 ANGLES = ± 1°
 INTERPRET GEOMETRIC TOLERANCING PER: ASME Y14.5M-1994



TITLE: **K7040 SERIES VIBRO-INSULATOR**
 WWW.KARMAN.COM

SIZE	CAGE CODE	DWG. NO.	REV
B		K7040	2
DO NOT SCALE DRAWING		SCALE: 1:1	WEIGHT: 12.90 OZ. SHEET 1 OF 1