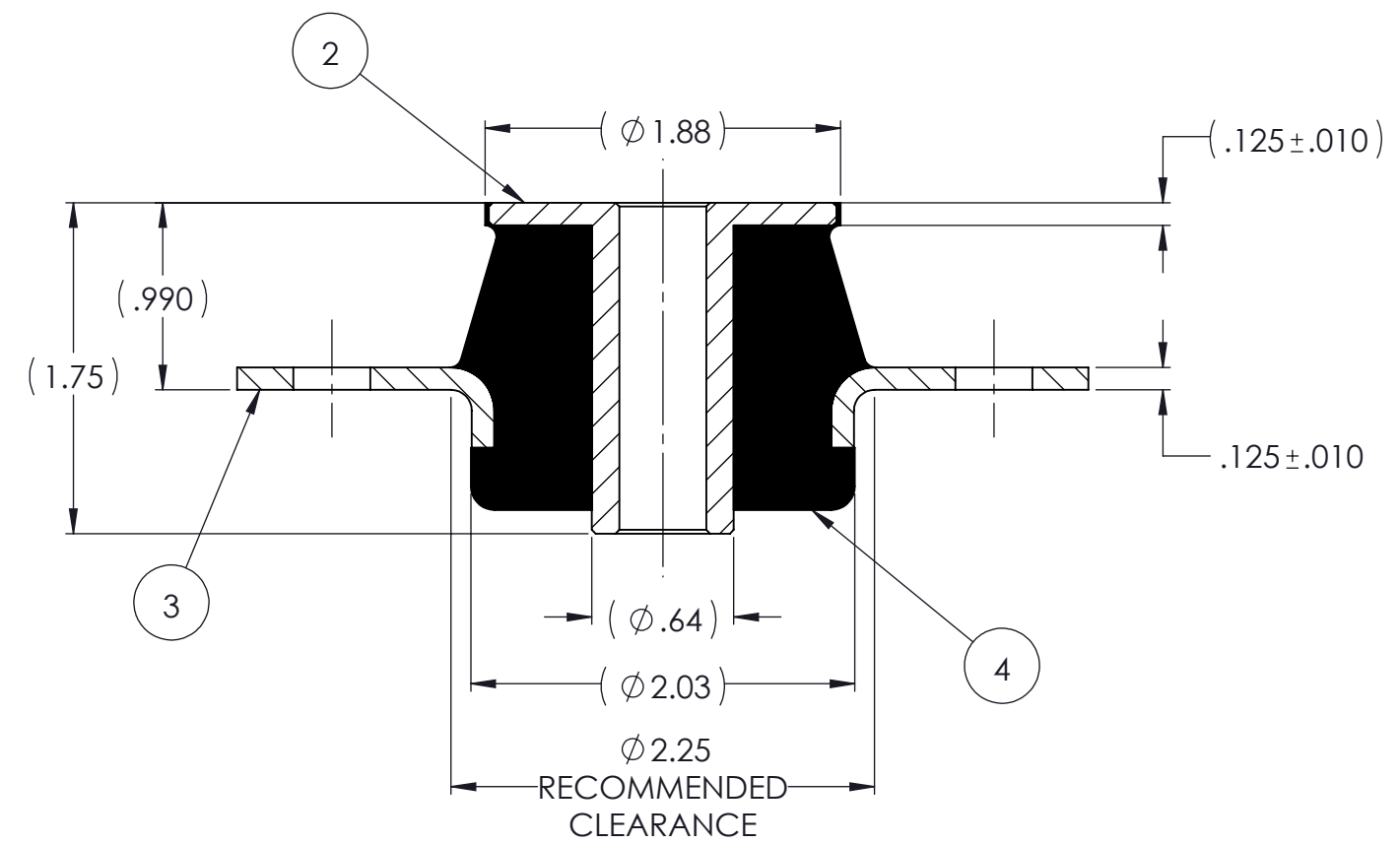
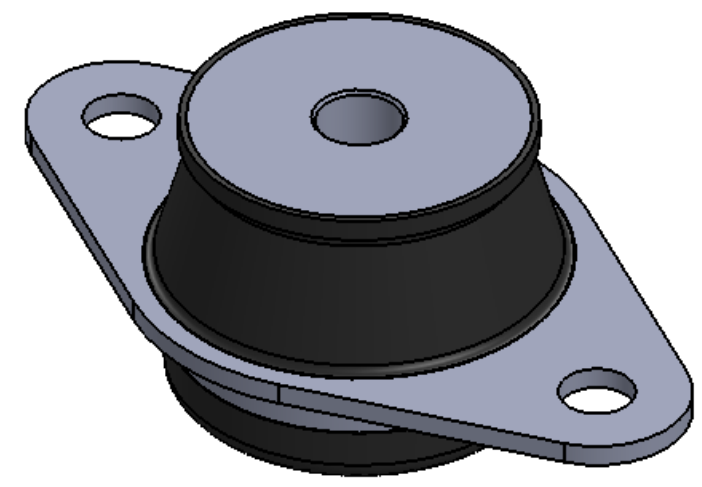
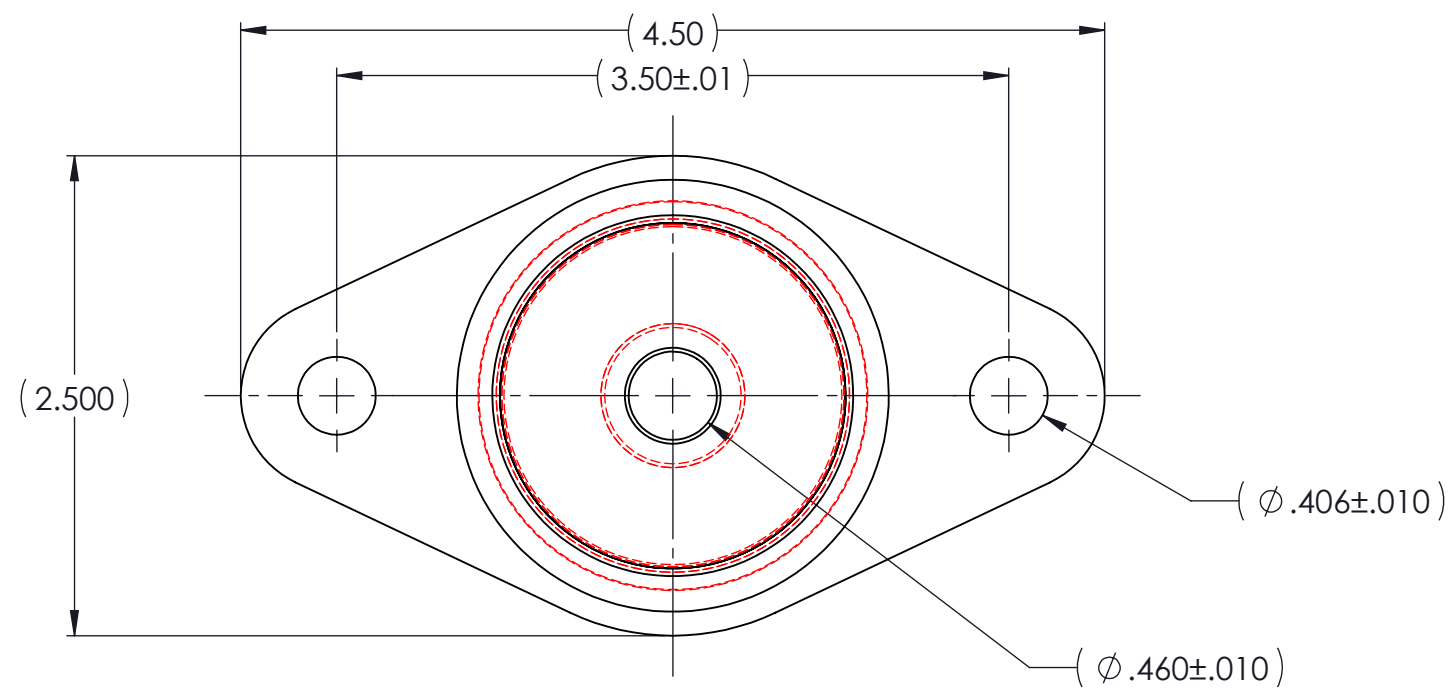


REVISIONS			
REV.	DESCRIPTION	DATE	APPROVED
1	INITIAL RELEASE OF DRAWING	9/2/2014	BS
2	ADD $\phi .64$ DIMENSION. $\phi 2.25$ RECOMMENDED CLEARANCE WAS $\phi 2.25$ MIN CLEARANCE. MOVE 2.500 DIMENSION.	9/23/2014	BS



QTY.	DESCRIPTION	PART NUMBER	MATERIAL OR NOTES	ITEM
AR	ELASTOMER	K7030-4		4
1	MK7030B	MK7030B		3
1	MK7030A	K7030A		2
	K7030	K7030		1

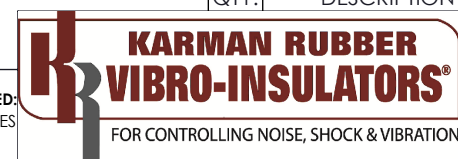
NOTES:

1 MATERIAL: ELASTOMER AND DUROMETER OF 40, 50, 60 OR 70 TO BE SPECIFIED.

2 ALL DIMENSIONS ARE REFERENCE.

PROPRIETARY AND CONFIDENTIAL THE INFORMATION CONTAINED IN THIS DRAWING IS THE SOLE PROPERTY OF KARMAN RUBBER. ANY REPRODUCTION IN PART OR AS A WHOLE WITHOUT THE WRITTEN PERMISSION OF KARMAN RUBBER IS PROHIBITED.	SIGNATURE		DATE
	DRAWN	B. SENEAL	09/02/2014
	CHECK	S. BROWN	09/02/2014
	ENGR	B. SENEAL	09/02/2014
	QA		
STRESS			
APPR			

UNLESS OTHERWISE SPECIFIED:  
DIMENSIONS ARE IN INCHES  
TOLERANCES:  
.X =  
.XX = ± 0.031  
.XXX =  
ANGLES = ± 1°  
INTERPRET GEOMETRIC TOLERANCING PER: ASME Y14.5M-1994



TITLE: K7030 SERIES VIBRO-INSULATOR WWW.KARMAN.COM	
SIZE: <b>B</b>	CAGE CODE
DO NOT SCALE DRAWING	SCALE: 1:1
WEIGHT: 8.40 OZ.	SHEET 1 OF 1