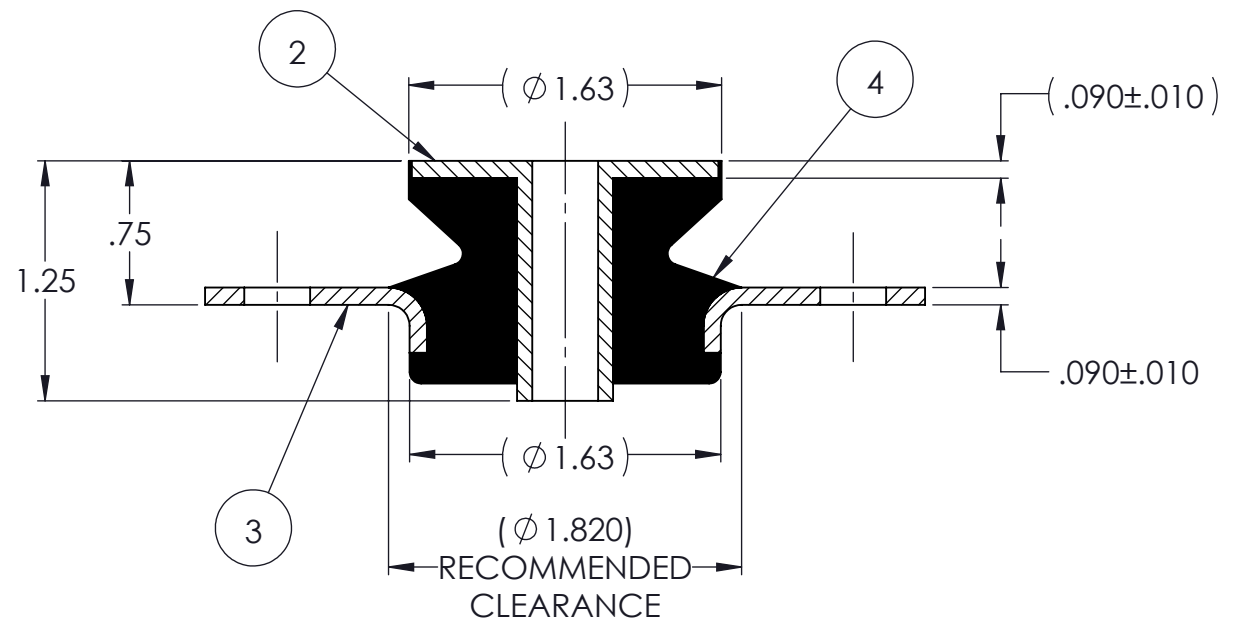
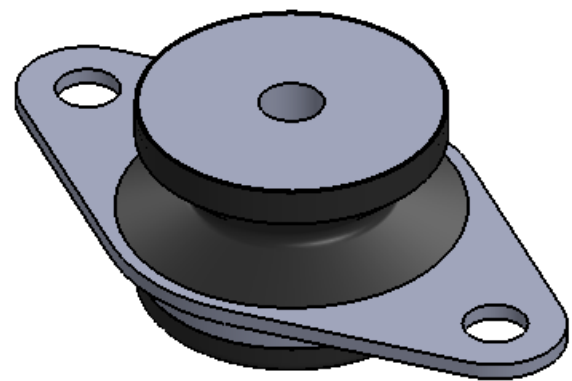
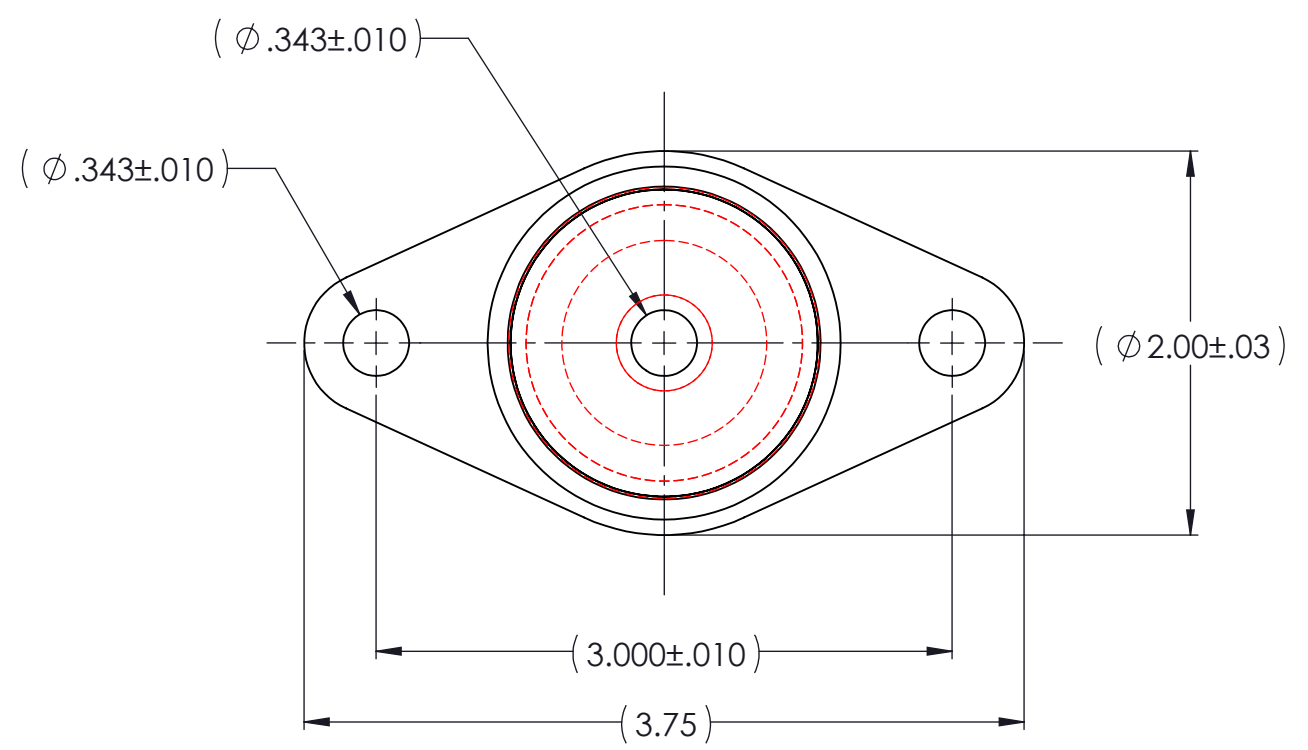


REVISIONS			
REV.	DESCRIPTION	DATE	APPROVED
1	INITIAL RELEASE OF DRAWING	10/2/2014	BS



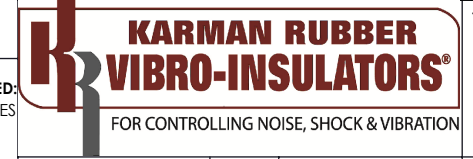
NOTES:

- 1 MATERIAL: ELASTOMER AND DUROMETER OF 40, 50, 60 OR 70 TO BE SPECIFIED.
- 2 ALL DIMENSIONS ARE REFERENCE.

PROPRIETARY AND CONFIDENTIAL	SIGNATURE	DATE	UNLESS OTHERWISE SPECIFIED:
THE INFORMATION CONTAINED IN THIS DRAWING IS THE SOLE PROPERTY OF KARMAN RUBBER. ANY REPRODUCTION IN PART OR AS A WHOLE WITHOUT THE WRITTEN PERMISSION OF KARMAN RUBBER IS PROHIBITED.	DRAWN	B. SENECAI	10/02/2014
	CHECK	S. BROWN	10/02/2014
	ENGR	B. SENECAI	10/02/2014
	QA		
	STRESS		
	APPR		

DIMENSIONS ARE IN INCHES
 TOLERANCES:
 .X =
 .XX = ± 0.031
 .XXX =
 ANGLES = ± 1°
 INTERPRET GEOMETRIC TOLERANCING PER: ASME Y14.5M-1994

AR	ELASTOMER	K7010-4		4
1	MK7010B	MK7010B		3
1	MK7010A	MK7010A		2
	K7010	K7010		1
QTY.	DESCRIPTION	PART NUMBER	MATERIAL OR NOTES	ITEM



TITLE: K7010 SERIES VIBRO-INSULATOR
 WWW.KARMAN.COM

SIZE	CAGE CODE	DWG. NO.	REV
B		K7010	1
DO NOT SCALE DRAWING		SCALE: 1:1	WEIGHT: 3.75 OZ. SHEET 1 OF 1