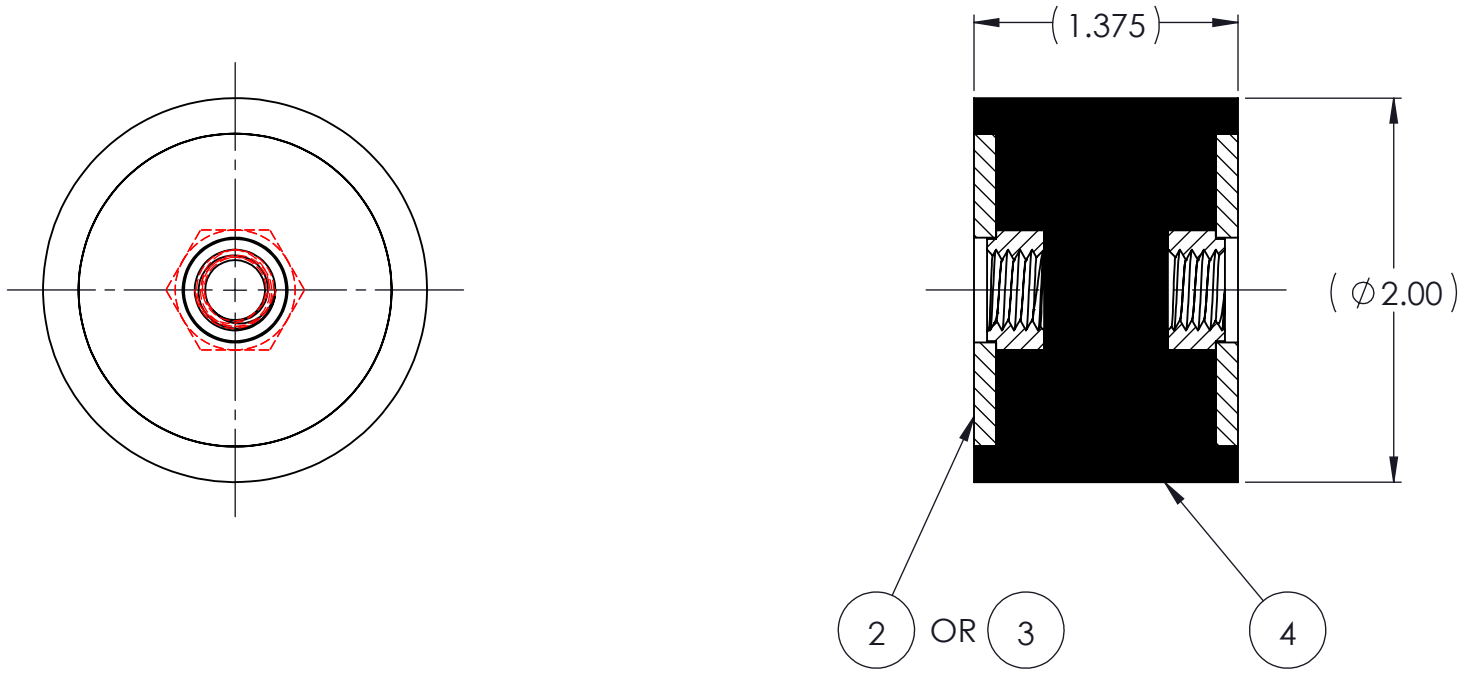


REVISIONS			
REV.	DESCRIPTION	DATE	APPROVED
1	INITIAL RELEASE OF DRAWING	10/21/2014	BS



NOTES:

- 1 MATERIAL: ELASTOMER AND DUROMETER OF 40, 50, 60 OR 70 TO BE SPECIFIED.
- 2 ALL DIMENSIONS ARE REFERENCE.
- 3 AVAILABLE WITH THREADS OF 3/8-16 UNC AND M10 X 1.5.

QTY.	DESCRIPTION	PART NUMBER	MATERIAL OR NOTES	ITEM
AR	ELASTOMER	K664-4	1	4
2	MK600-M10	MK600-M10		3
2	MK600A	MK600A		2
	K664	K664		1

PROPRIETARY AND CONFIDENTIAL		
	SIGNATURE	DATE
DRAWN	B. SENEAL	10/21/2014
CHECK	S. BROWN	10/21/2014
ENGR	B. SENEAL	10/21/2014
QA		
STRESS		
APPR		

UNLESS OTHERWISE SPECIFIED:
 DIMENSIONS ARE IN INCHES
 TOLERANCES:
 .X = ± 0.031
 .XXX = ± 0.005
 ANGLES = ± 1°
 INTERPRET GEOMETRIC TOLERANCING PER: ASME Y14.5M-1994



TITLE: K664 SERIES VIBRO-INSULATOR WWW.KARMAN.COM		DWG. NO. K664		REV 1
SIZE B	CAGE CODE	SCALE: 1:1	WEIGHT: N/A	SHEET 1 OF 1

DO NOT SCALE DRAWING