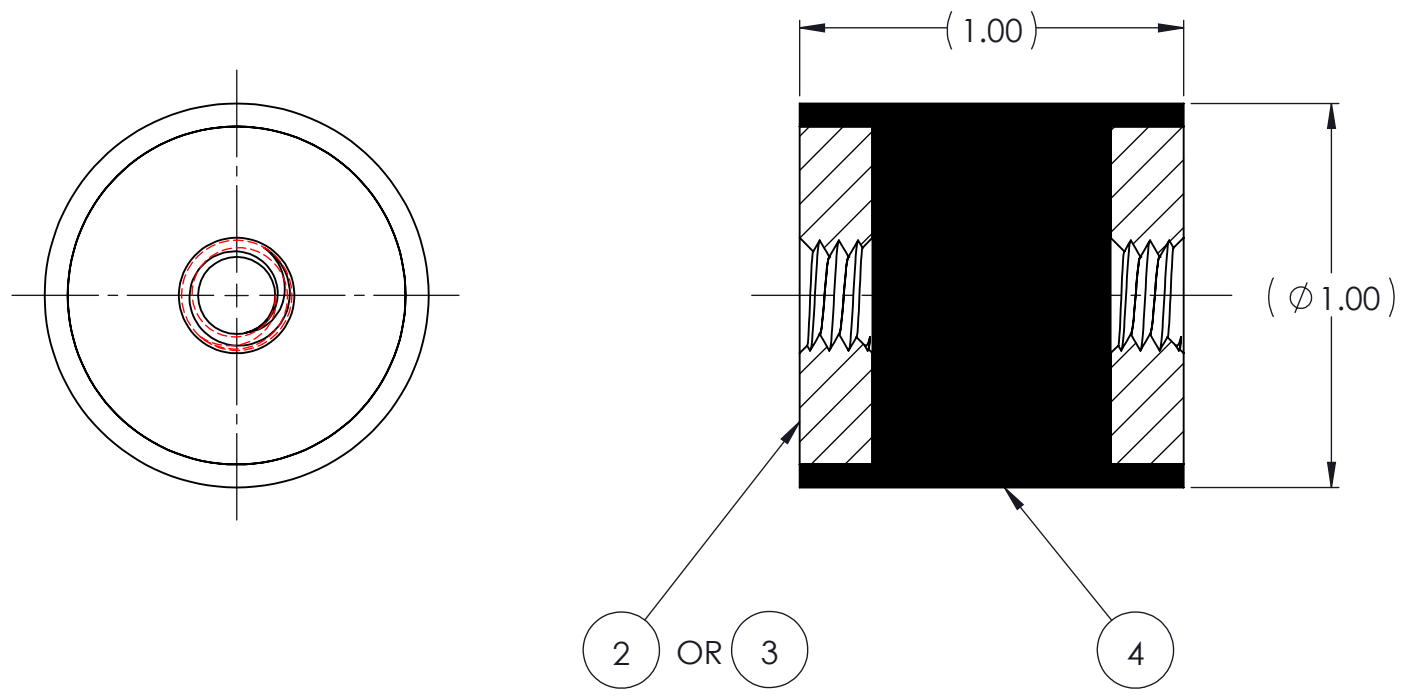
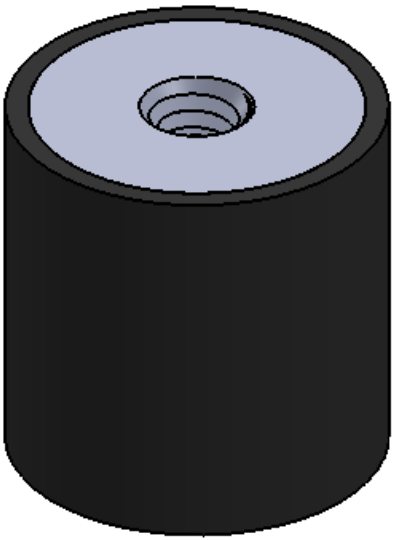


REVISIONS			
REV.	DESCRIPTION	DATE	APPROVED
1	INITIAL RELEASE OF DRAWING	10/30/2014	BS



NOTES:

- 1 MATERIAL: ELASTOMER AND DUROMETER OF 40, 50, 60 OR 70 TO BE SPECIFIED.
- 2 ALL DIMENSIONS ARE REFERENCE.
- 3 AVAILABLE WITH THREADS OF 1/4-20 UNC AND M6 X 1.0.

AR	DESCRIPTION	PART NUMBER	MATERIAL OR NOTES	ITEM
	ELASTOMER	K40A-4	△	4
2	MK400M6T	MK400M6T		3
2	MK40020T	MK40020T		2
	K40A	K40A		1

PROPRIETARY AND CONFIDENTIAL THE INFORMATION CONTAINED IN THIS DRAWING IS THE SOLE PROPERTY OF KARMAN RUBBER. ANY REPRODUCTION IN PART OR AS A WHOLE WITHOUT THE WRITTEN PERMISSION OF KARMAN RUBBER IS PROHIBITED.	SIGNATURE		DATE	UNLESS OTHERWISE SPECIFIED: DIMENSIONS ARE IN INCHES TOLERANCES: .X = ± 0.031 .XXX = ± 1° INTERPRET GEOMETRIC TOLERANCING PER: ASME Y14.5M-1994
	DRAWN	B. SENEAL	10/30/2014	
	CHECK	S. BROWN	10/30/2014	
	ENGR	B. SENEAL	10/30/2014	
	QA			
	STRESS			
APPR				



TITLE: **K40A SERIES VIBRO-INSULATOR**
WWW.KARMAN.COM

SIZE	CAGE CODE	DWG. NO.	REV
B		K40A	1

DO NOT SCALE DRAWING SCALE: 1:2 WEIGHT: 1.30 OZ. SHEET 1 OF 1