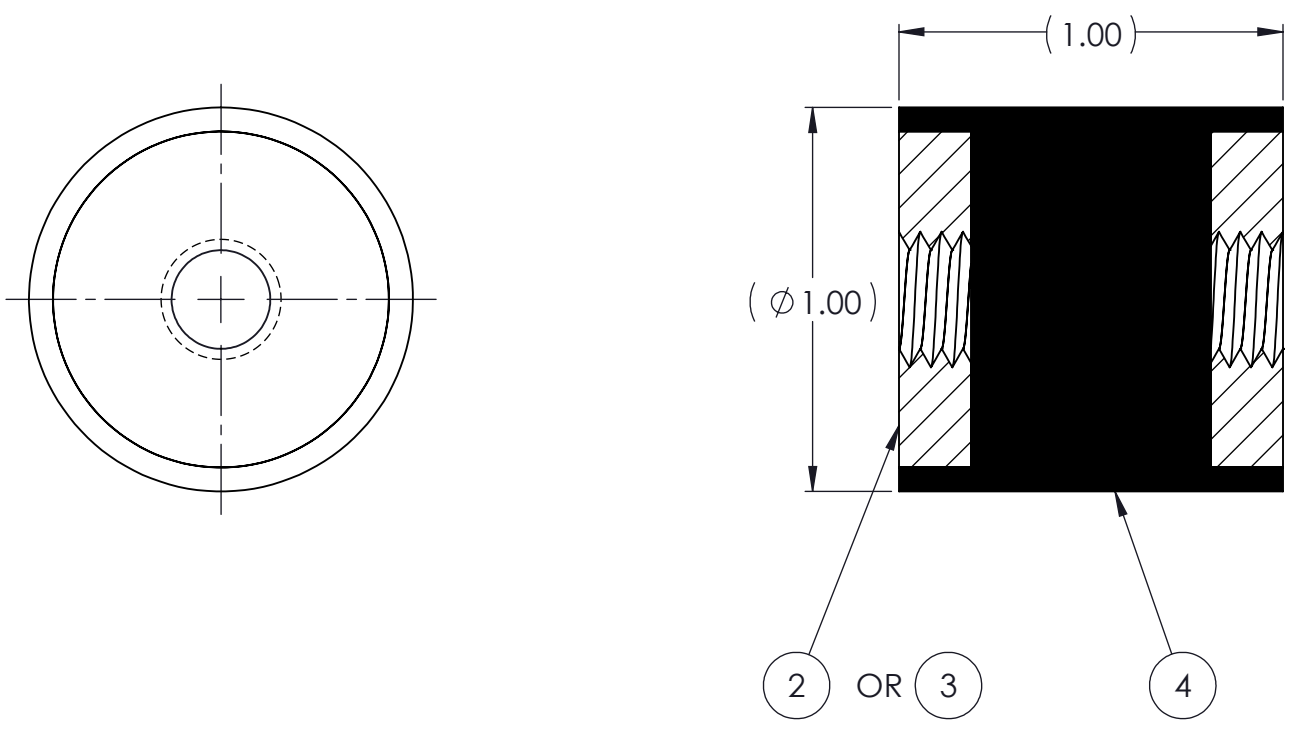
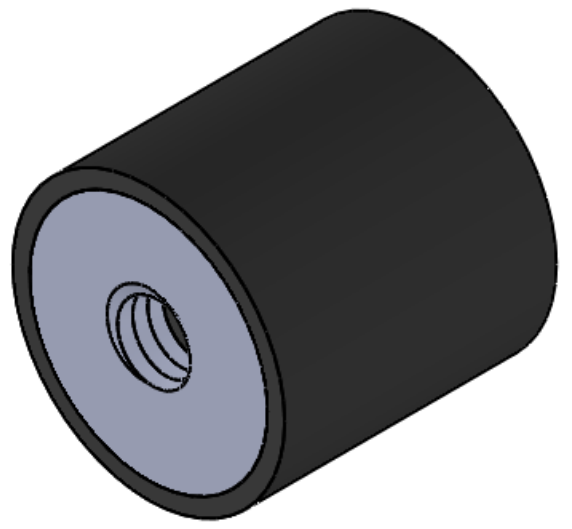


REVISIONS			
REV.	DESCRIPTION	DATE	APPROVED
1	INITIAL RELEASE OF DRAWING	5/16/2014	BS
2	REVISE TITLE BLOCK AND PART NUMBERS.	10/30/2014	BS



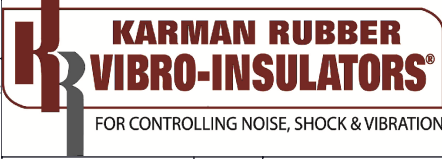
QTY.	DESCRIPTION	PART NUMBER	MATERIAL OR NOTES	ITEM
AR	ELASTOMER	K40-4		4
2	MK400M8	MK400M8		3
2	MK40018T	MK40018T		2
	K40	K40		1

NOTES:

- 1 MATERIAL: ELASTOMER AND DUROMETER OF 40, 50, 60 OR 70 TO BE SPECIFIED.
- 2 ALL DIMENSIONS ARE REFERENCE.
- 3 AVAILABLE WITH THREADS OF 5/16-18 UNC AND M8 X 1.25.

PROPRIETARY AND CONFIDENTIAL THE INFORMATION CONTAINED IN THIS DRAWING IS THE SOLE PROPERTY OF KARMAN RUBBER. ANY REPRODUCTION IN PART OR AS A WHOLE WITHOUT THE WRITTEN PERMISSION OF KARMAN RUBBER IS PROHIBITED.	SIGNATURE		DATE
	DRAWN	B. SENEAL	05/16/2014
	CHECK	S. BROWN	05/16/2014
	ENGR	B. SENEAL	05/16/2014
	QA		
STRESS			
APPR			

UNLESS OTHERWISE SPECIFIED:  
DIMENSIONS ARE IN INCHES  
TOLERANCES:  
.X =  
.XX = ± 0.031  
.XXX =  
ANGLES = ± 1°  
INTERPRET GEOMETRIC TOLERANCING PER: ASME Y14.5M-1994



TITLE: <b>K40 VIBRO-INSULATOR</b> WWW.KARMAN.COM		DWG. NO. <b>K40</b>	REV <b>1</b>
SIZE <b>B</b>	CAGE CODE	SCALE: 2:1	WEIGHT: 1.30 OZ.
DO NOT SCALE DRAWING		SHEET 1 OF 1	