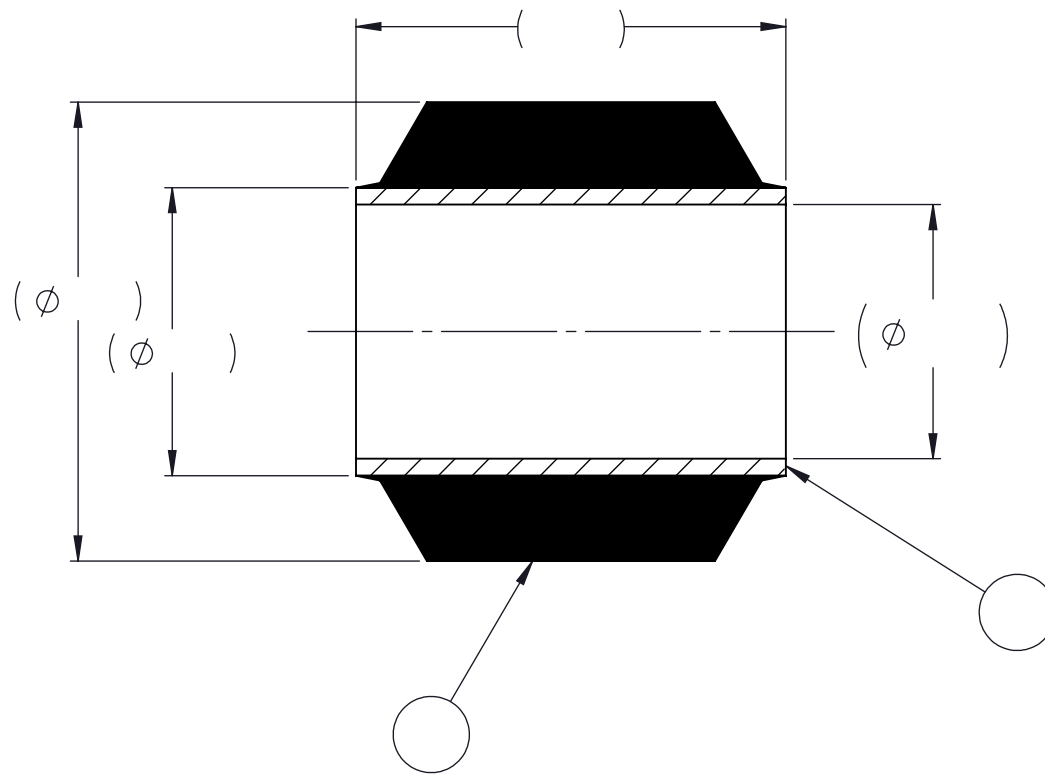
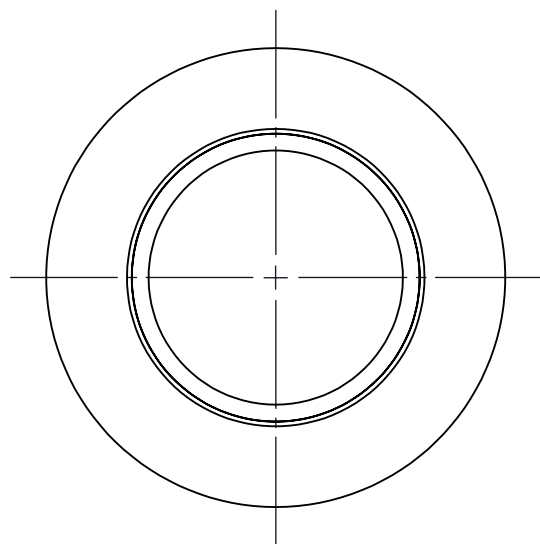


5(9,6,216			
5(9	'(6&5,37,21	'\$7(\$33529('
	,1,7,\$/ 5/((\$6(2) '5\$:,1*		%6



127(6

△ 0\$7(5,\$/ (\$6720(5 \$1' '8520(7(5 2)
 25 72 %(63(&,)('
 \$// ',0(16,216 \$5(5()(5(1&(

35235,(7\$5< \$1'	6,*1\$785('\$7(81/(66 27+(5:,.6(63(&,)('
&21),'(17,\$/ 5\$:1	% 6(1(&\$/ iōlīlīlī	ō,0(16,216 \$5(,1,1&+(6	72/(5\$1&(6
7+(,1)250\$7,21&+(&.	6 %52:1 iōlīlīlī	ō	±:
\$5:,1',6 7+6 62(1*5	% 6(1(&\$/ iōlīlīlī	ō	±:
3523(57< 2)			±:
\$50\$1 58%(5	\$±		±:
5(352'8&7,21,1	\$±		±:
25 \$6 \$:+2/	\$675(66		\$1*/(6 ± *
..7+287 7+(,5,	\$335		..17(535(7 *(20(75.&
3150,66,21,2)			72/(5\$1&,1' 3(5
50\$1 58%(5			\$60(< 0
6 352+,%7(

\$5 (/ \$6720(5	.	△	
0.	0.		
47<	'(6&5,37,21	3\$57 180%(50\$7(5,\$/ 25 127,(6(0	

7,7/(6(5,(6	\$
08/7,	385326(02817	
::: .	\$50\$1 &20	
6, =(&\$*(&2'('	':* 12	5(9
%		
'2 127 6&\$/('5\$:	16&\$/(:(,*+7
		26+((7 2)