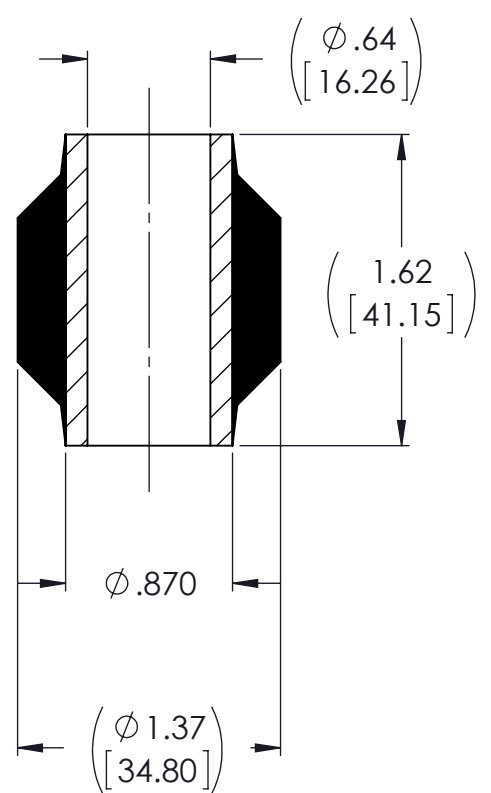
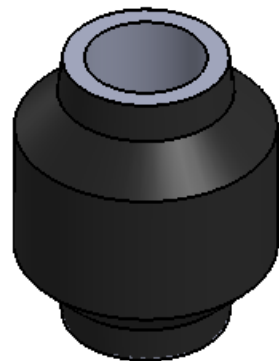
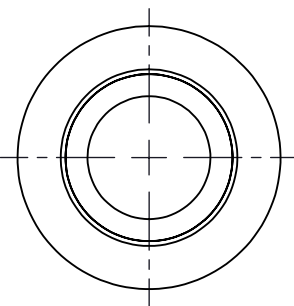


REVISIONS			
REV.	DESCRIPTION	DATE	APPROVED
1	INITIAL RELEASE OF DRAWING	7/2/2014	BS
2	ADD BUSHING OD.	8/18/2014	BS



NOTES:

- 1 MATERIAL: ELASTOMER AND DUROMETER OF 40, 50, 60 OR 70 TO BE SPECIFIED.
- 2 ALL DIMENSIONS ARE REFERENCE.

QTY.	DESCRIPTION	PART NUMBER	MATERIAL OR NOTES	ITEM
AR	ELASTOMER	K22-3		3
1	BUSHING	MK22		2
	K22	K22		1

PROPRIETARY AND CONFIDENTIAL		SIGNATURE	DATE	UNLESS OTHERWISE SPECIFIED: DIMENSIONS ARE IN INCHES TOLERANCES: .X = .XX = ± 0.031 .XXX = ANGLES = ± 1° INTERPRET GEOMETRIC TOLERANCING PER: ASME Y14.5M-1994
THE INFORMATION CONTAINED IN THIS DRAWING IS THE SOLE PROPERTY OF KARMAN RUBBER. ANY REPRODUCTION IN PART OR AS A WHOLE WITHOUT THE WRITTEN PERMISSION OF KARMAN RUBBER IS PROHIBITED.	DRAWN	B. SENECAI	07/02/2014	
	CHECK	S. BROWN	07/02/2014	
	ENGR	B. SENECAI	07/02/2014	
	QA			
	STRESS			
	APPR			



TITLE:		K22 SERIES VIBRO-INSULATOR WWW.KARMAN.COM		
SIZE	CAGE CODE	DWG. NO.	REV	
B		K22	2	
DO NOT SCALE DRAWING		SCALE: 1:1	WEIGHT: 2.65 OZ.	SHEET 1 OF 1