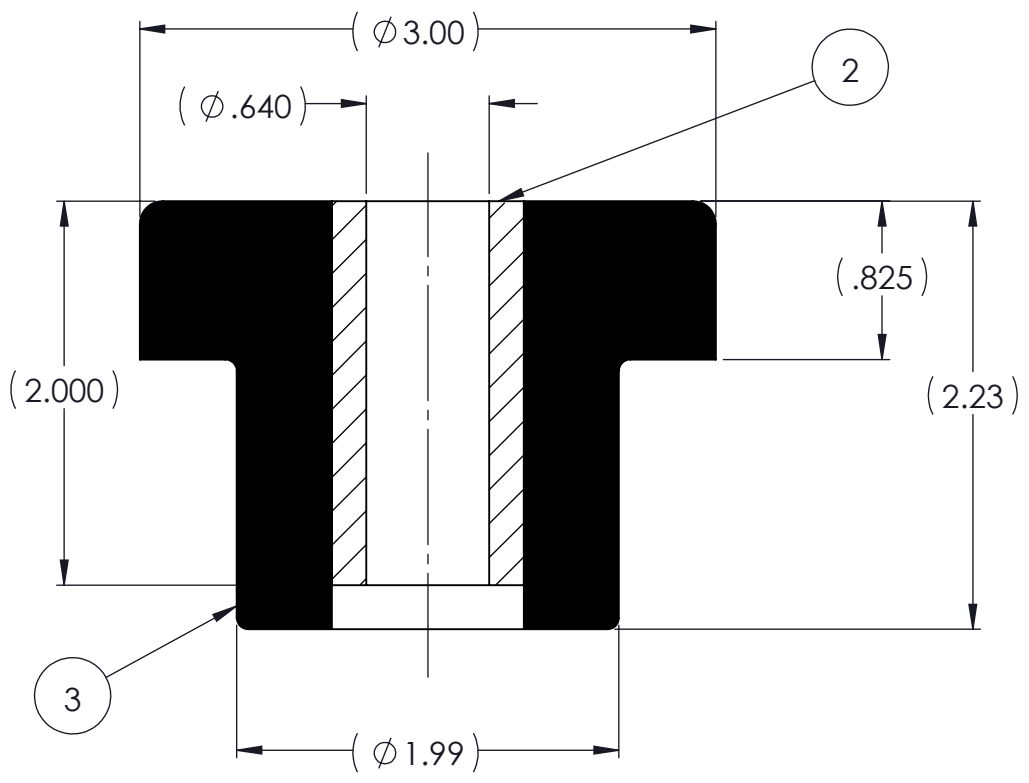
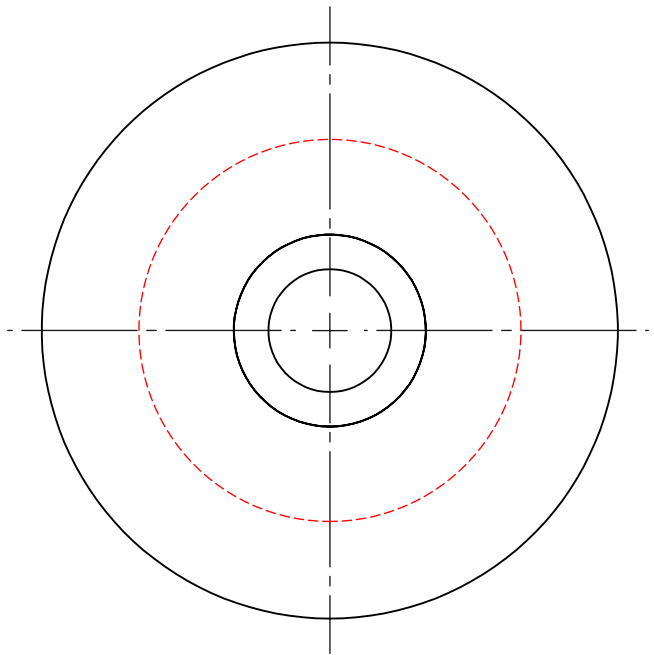


REVISIONS			
REV.	DESCRIPTION	DATE	APPROVED
1	INITIAL RELEASE OF DRAWING	10/14/2014	BS



NOTES:

- 1 MATERIAL: ELASTOMER AND DUROMETER OF 40, 50, 60 OR 70 TO BE SPECIFIED.
- 2 ALL DIMENSIONS ARE REFERENCE.

AR	DESCRIPTION	PART NUMBER	MATERIAL OR NOTES	ITEM
1	ELASTOMER	K20-9-3		3
1	MK20-9	MK20-9		2
	K20-9	K20-9		1

PROPRIETARY AND CONFIDENTIAL		SIGNATURE	DATE
<small>THE INFORMATION CONTAINED IN THIS DRAWING IS THE SOLE PROPERTY OF KARMAN RUBBER. ANY REPRODUCTION IN PART OR AS A WHOLE WITHOUT THE WRITTEN PERMISSION OF KARMAN RUBBER IS PROHIBITED.</small>		DRAWN	B. SENECAI 10/14/2014
		CHECK	S. BROWN 10/14/2014
		ENGR	B. SENECAI 10/14/2014
		QA	
		STRESS	
		APPR	

UNLESS OTHERWISE SPECIFIED:
 DIMENSIONS ARE IN INCHES
 TOLERANCES:
 .X =
 .XX = ± 0.031
 .XXX =
 ANGLES = ± 1°
 INTERPRET GEOMETRIC TOLERANCING PER: ASME Y14.5M-1994



TITLE: K20-9 SERIES VIBRO-INSULATOR
 WWW.KARMAN.COM

SIZE	CAGE CODE	DWG. NO.	REV
B		K520-9	1
DO NOT SCALE DRAWING		SCALE: 1:1	WEIGHT: N/A
		SHEET 1 OF 1	