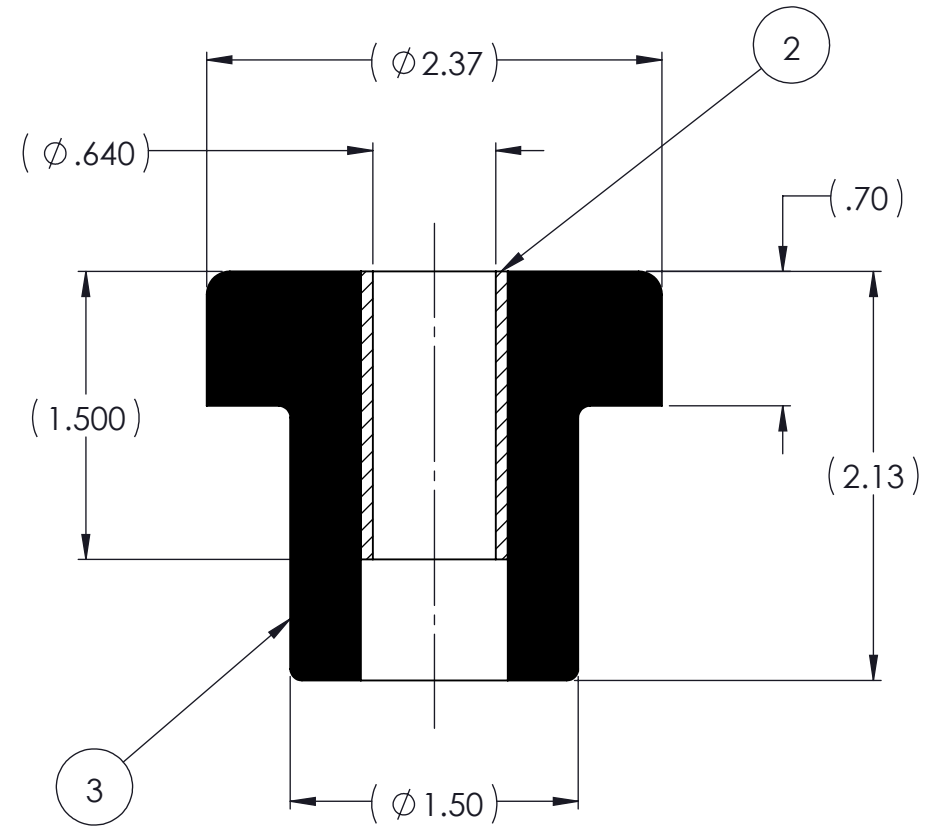
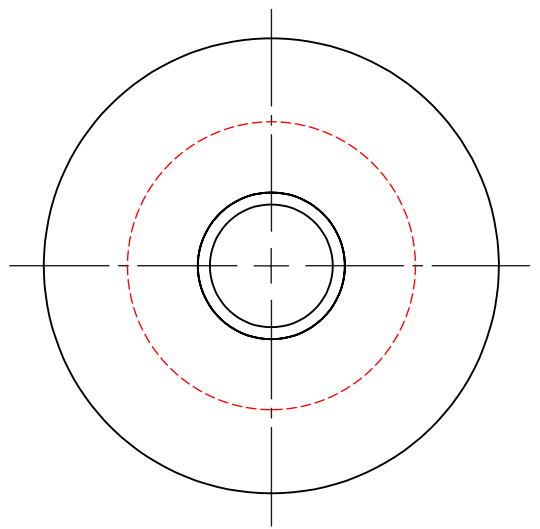


REVISIONS			
REV.	DESCRIPTION	DATE	APPROVED
1	INITIAL RELEASE OF DRAWING	10/14/2014	BS



NOTES:

- 1 MATERIAL: ELASTOMER AND DUROMETER OF 40, 50, 60 OR 70 TO BE SPECIFIED.
- 2 ALL DIMENSIONS ARE REFERENCE.

PROPRIETARY AND CONFIDENTIAL		SIGNATURE	DATE
<small>THE INFORMATION CONTAINED IN THIS DRAWING IS THE SOLE PROPERTY OF KARMAN RUBBER. ANY REPRODUCTION IN PART OR AS A WHOLE WITHOUT THE WRITTEN PERMISSION OF KARMAN RUBBER IS PROHIBITED.</small>	DRAWN	B. SENEAL	10/14/2014
	CHECK	S. BROWN	10/14/2014
	ENGR	B. SENEAL	10/14/2014
	QA		
	STRESS		
	APPR		

UNLESS OTHERWISE SPECIFIED:
 DIMENSIONS ARE IN INCHES
 TOLERANCES:
 .X =
 .XX = ± 0.031
 .XXX =
 ANGLES = ± 1°
 INTERPRET GEOMETRIC TOLERANCING PER: ASME Y14.5M-1994



TITLE: **K20-8 SERIES VIBRO-INSULATOR**
WWW.KARMAN.COM

AR	ELASTOMER	K20-8-3		3
1	MK20-8	MK20-8		2
	K20-8	K20-8		1
QTY.	DESCRIPTION	PART NUMBER	MATERIAL OR NOTES	ITEM

SIZE	CAGE CODE	DWG. NO.	REV
B		K20-8	1
DO NOT SCALE DRAWING		SCALE: 1:1	WEIGHT: N/A
			SHEET 1 OF 1