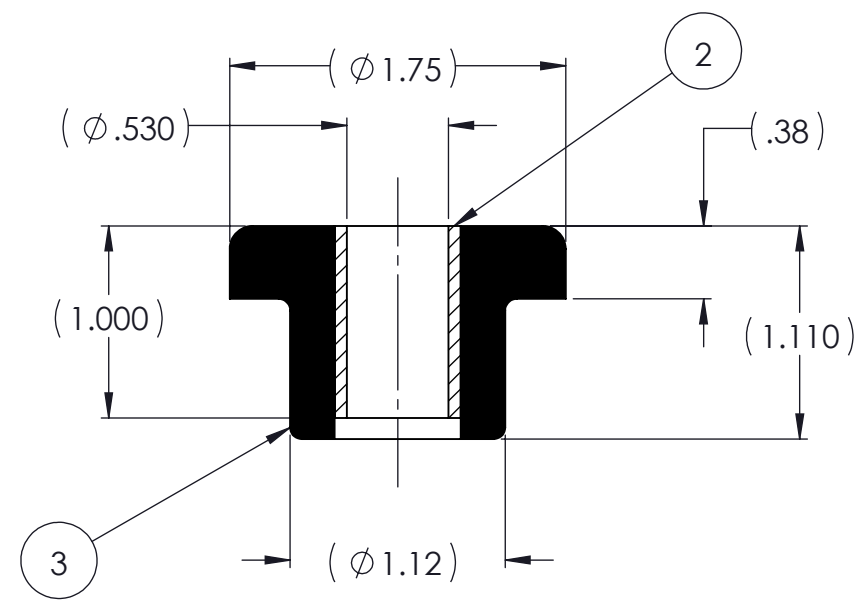
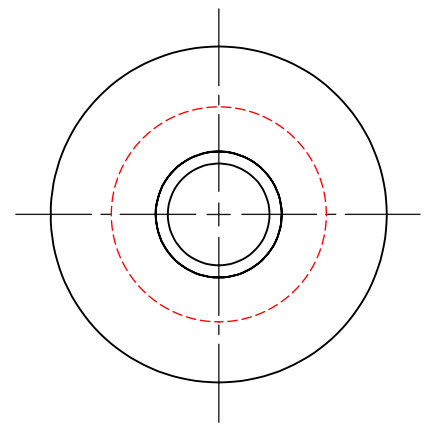


REVISIONS			
REV.	DESCRIPTION	DATE	APPROVED
1	INITIAL RELEASE OF DRAWING	10/14/2014	BS



NOTES:

- 1 MATERIAL: ELASTOMER AND DUROMETER OF 40, 50, 60 OR 70 TO BE SPECIFIED.
- 2 ALL DIMENSIONS ARE REFERENCE.

QTY.	DESCRIPTION	PART NUMBER	MATERIAL OR NOTES	ITEM
AR	ELASTOMER	K20-7-3	⚠	3
1	MK20-7	MK20-7		2
	K20-7	K20-7		1

PROPRIETARY AND CONFIDENTIAL THE INFORMATION CONTAINED IN THIS DRAWING IS THE SOLE PROPERTY OF KARMAN RUBBER. ANY REPRODUCTION IN PART OR AS A WHOLE WITHOUT THE WRITTEN PERMISSION OF KARMAN RUBBER IS PROHIBITED.	SIGNATURE		DATE
	DRAWN	B. SENEAL	10/14/2014
	CHECK	S. BROWN	10/14/2014
	ENGR	B. SENEAL	10/14/2014
	QA		
	STRESS		
APPR			

UNLESS OTHERWISE SPECIFIED:
DIMENSIONS ARE IN INCHES
TOLERANCES:
.X =
.XX = ± 0.031
.XXX =
ANGLES = ± 1°
INTERPRET GEOMETRIC TOLERANCING PER: ASME Y14.5M-1994



TITLE: K20-7 SERIES VIBRO-INSULATOR
WWW.KARMAN.COM

SIZE	CAGE CODE	DWG. NO.	REV
B		K20-7	1
DO NOT SCALE DRAWING		SCALE: 1:1	WEIGHT: N/A
		SHEET 1 OF 1	