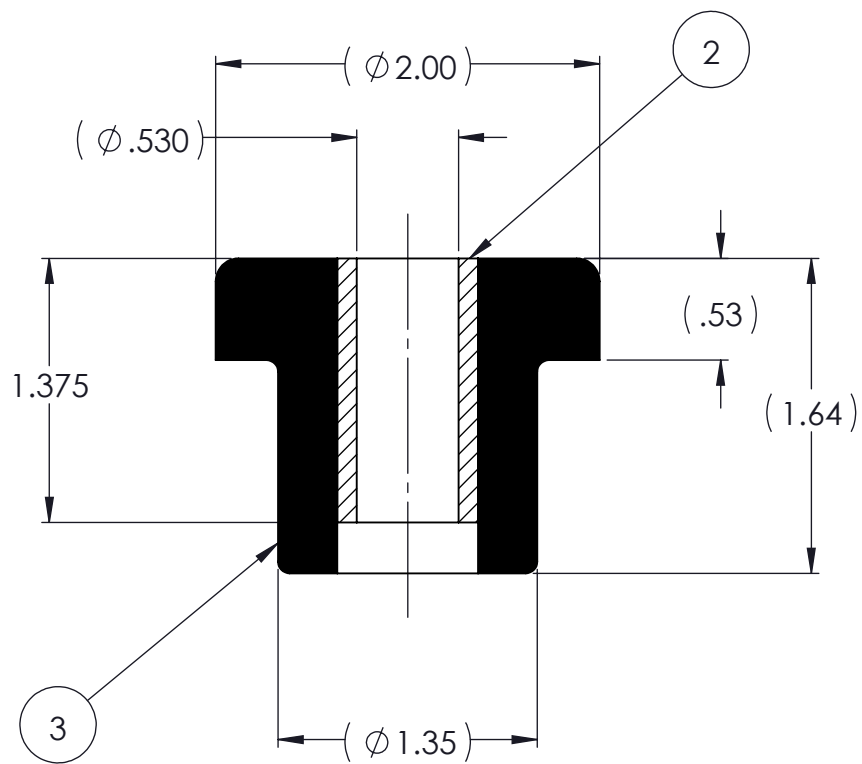
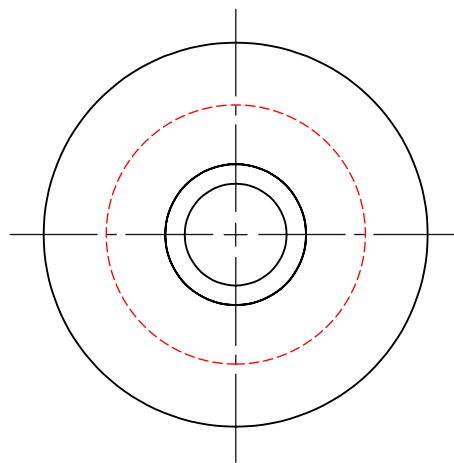


REVISIONS			
REV.	DESCRIPTION	DATE	APPROVED
1	INITIAL RELEASE OF DRAWING	10/13/2014	BS



NOTES:

- 1 MATERIAL: ELASTOMER AND DUROMETER OF 40, 50, 60 OR 70 TO BE SPECIFIED.
- 2 ALL DIMENSIONS ARE REFERENCE.

PROPRIETARY AND CONFIDENTIAL		SIGNATURE	DATE
THE INFORMATION CONTAINED IN THIS DRAWING IS THE SOLE PROPERTY OF KARMAN RUBBER. ANY REPRODUCTION IN PART OR AS A WHOLE WITHOUT THE WRITTEN PERMISSION OF KARMAN RUBBER IS PROHIBITED.	DRAWN	B. SENEAL	10/13/2014
	CHECK	S. BROWN	10/13/2014
	ENGR	B. SENEAL	10/13/2014
	QA		
	STRESS		
	APPR		

UNLESS OTHERWISE SPECIFIED:  
 DIMENSIONS ARE IN INCHES  
 TOLERANCES:  
 .X =  
 .XX = ± 0.031  
 .XXX =  
 ANGLES = ± 1°  
 INTERPRET GEOMETRIC TOLERANCING PER: ASME Y14.5M-1994



TITLE: K20-5 SERIES VIBRO-INSULATOR WWW.KARMAN.COM		DWG. NO. K20-5		REV 1
SIZE B	CAGE CODE	SCALE: 1:1	WEIGHT: N/A	SHEET 1 OF 1

AR	DESCRIPTION	PART NUMBER	MATERIAL OR NOTES	ITEM
1	MK20-5	MK20-5		2
	K20-5	K20-5		1