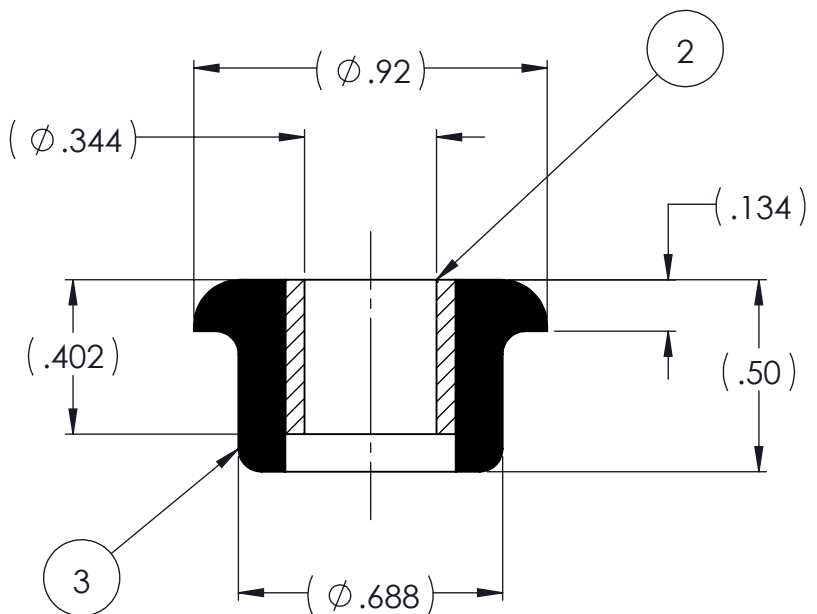
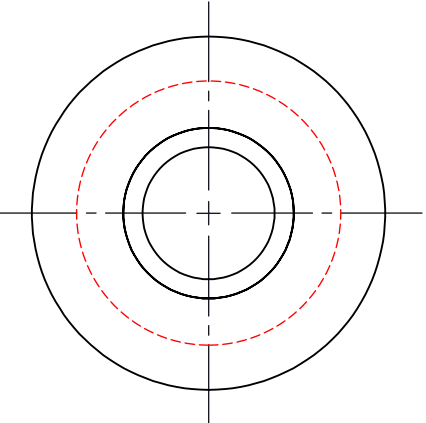


REVISIONS			
REV.	DESCRIPTION	DATE	APPROVED
1	INITIAL RELEASE OF DRAWING	10/14/2014	BS



NOTES:

- 1 MATERIAL: ELASTOMER AND DUROMETER OF 40, 50, 60 OR 70 TO BE SPECIFIED.
- 2 ALL DIMENSIONS ARE REFERENCE.

QTY.	DESCRIPTION	PART NUMBER	MATERIAL OR NOTES	ITEM
AR	ELASTOMER	K20-12-3	⚠	3
1	MK20-12	MK20-12		2
	K20-12	K20-12		1

PROPRIETARY AND CONFIDENTIAL		SIGNATURE	DATE
<small>THE INFORMATION CONTAINED IN THIS DRAWING IS THE SOLE PROPERTY OF KARMAN RUBBER. ANY REPRODUCTION IN PART OR AS A WHOLE WITHOUT THE WRITTEN PERMISSION OF KARMAN RUBBER IS PROHIBITED.</small>	DRAWN	B. SENECAI	10/14/2014
	CHECK	S. BROWN	10/14/2014
	ENGR	B. SENECAI	10/14/2014
	QA		
	STRESS		
	APPR		

UNLESS OTHERWISE SPECIFIED:  
 DIMENSIONS ARE IN INCHES  
 TOLERANCES:  
 .X =  
 .XX = ± 0.031  
 .XXX =  
 ANGLES = ± 1°  
 INTERPRET GEOMETRIC TOLERANCING PER: ASME Y14.5M-1994



TITLE: K20-12 SERIES VIBRO-INSULATOR  
 WWW.KARMAN.COM  
 FOR CONTROLLING NOISE, SHOCK & VIBRATION

SIZE	CAGE CODE	DWG. NO.	REV
<b>B</b>		<b>K20-12</b>	<b>1</b>
DO NOT SCALE DRAWING		SCALE: 2:1	WEIGHT: N/A
			SHEET 1 OF 1