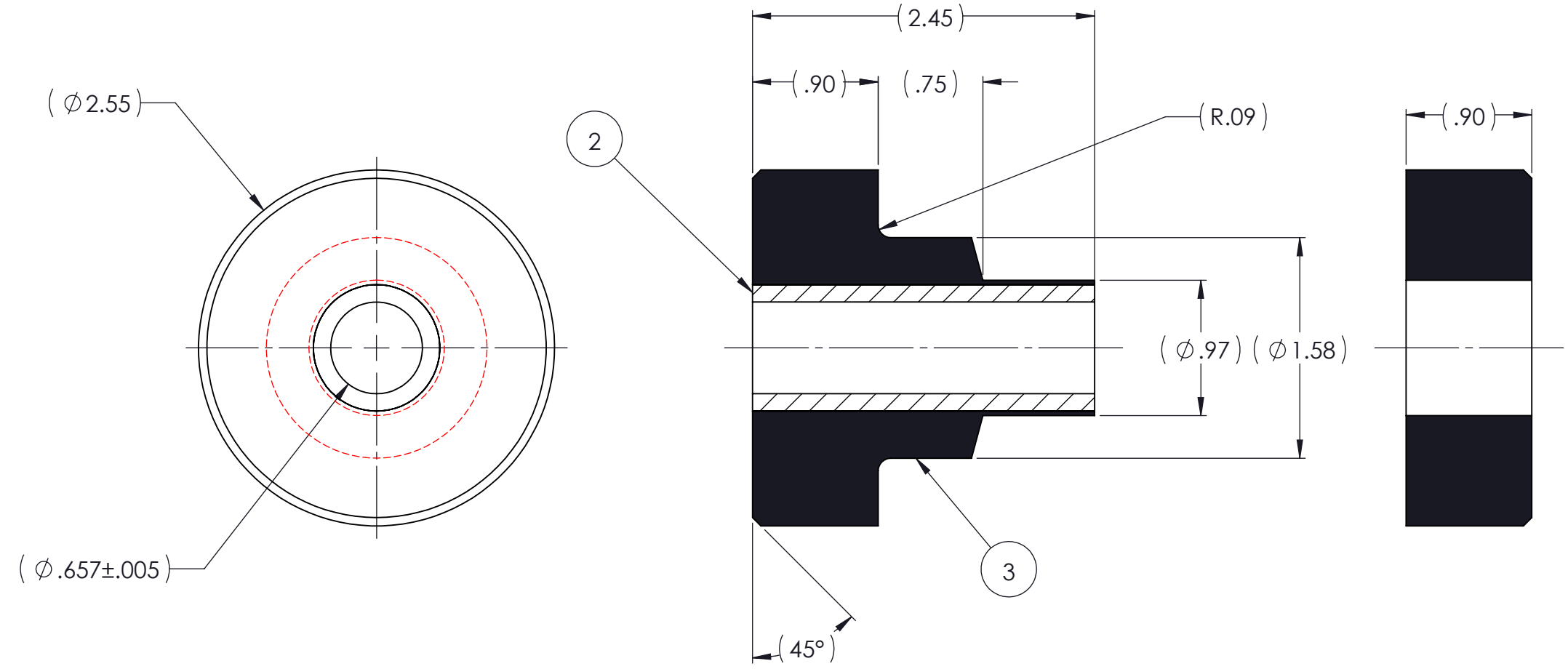


REVISIONS			
REV.	DESCRIPTION	DATE	APPROVED
1	INITIAL RELEASE OF DRAWING	9/29/2014	BS



NOTES:

- 1 MATERIAL: ELASTOMER AND DUROMETER OF 40, 50, 60 OR 70 TO BE SPECIFIED.
- 2 ALL DIMENSIONS ARE REFERENCE.

QTY.	DESCRIPTION	PART NUMBER	MATERIAL OR NOTES	ITEM
AR	ELASTOMER	K190-4-3		3
1	MK1904	MK1904		2
	K190-4	K190-4		1

PROPRIETARY AND CONFIDENTIAL		SIGNATURE	DATE
THE INFORMATION CONTAINED IN THIS DRAWING IS THE SOLE PROPERTY OF KARMAN RUBBER. ANY REPRODUCTION IN PART OR AS A WHOLE WITHOUT THE WRITTEN PERMISSION OF KARMAN RUBBER IS PROHIBITED.	DRAWN	B. SENEAL	09/29/2014
	CHECK	S. BROWN	09/29/2014
	ENGR	B. SENEAL	09/29/2014
	QA		
	STRESS		
	APPR		

UNLESS OTHERWISE SPECIFIED:
 DIMENSIONS ARE IN INCHES
 TOLERANCES:
 .X =
 .XX = ± 0.031
 .XXX =
 ANGLES = ± 1°
 INTERPRET GEOMETRIC TOLERANCING PER: ASME Y14.5M-1994



TITLE: K190-4 SERIES VIBRO-INSULATOR WWW.KARMAN.COM		DWG. NO. K190-4	REV 1
SIZE B	CAGE CODE	SCALE: 1:1	WEIGHT: 10.50 OZ.
DO NOT SCALE DRAWING		SHEET 1 OF 1	