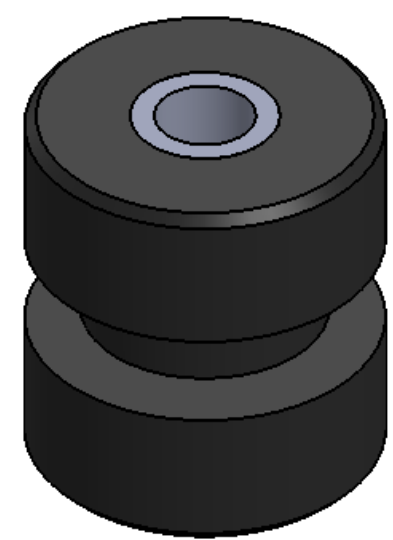
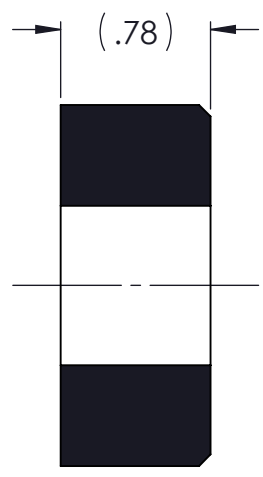
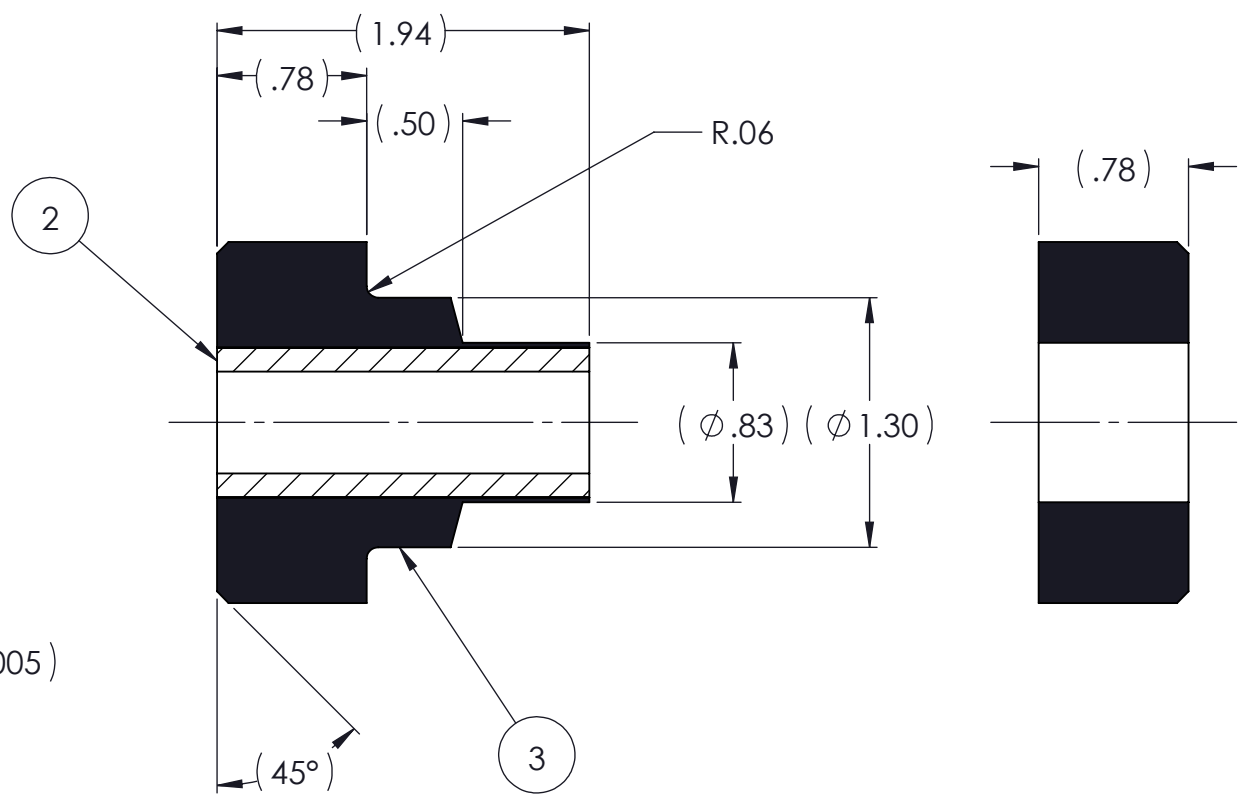
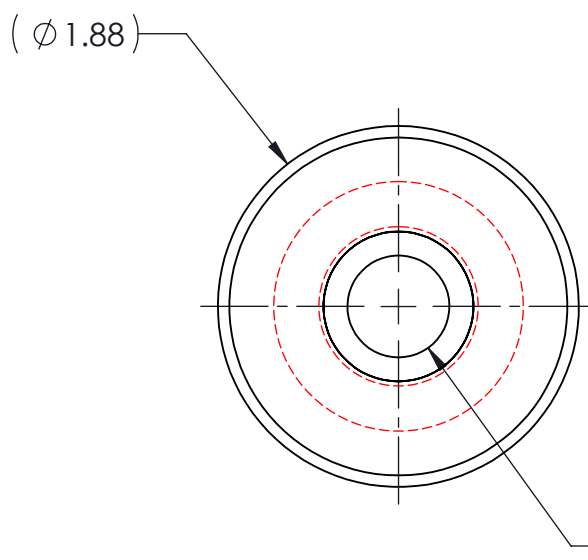


REVISIONS			
REV.	DESCRIPTION	DATE	APPROVED
1	INITIAL RELEASE OF DRAWING	9/29/2014	BS



NOTES:

- 1 MATERIAL: ELASTOMER AND DUROMETER OF 40, 50, 60 OR 70 TO BE SPECIFIED.
- 2 ALL DIMENSIONS ARE REFERENCE.

QTY.	DESCRIPTION	PART NUMBER	MATERIAL OR NOTES	ITEM
AR	ELASTOMER	K190-3-3	⚠	3
1	MK1903	MK1903		2
	K190-3	K190-3		1

PROPRIETARY AND CONFIDENTIAL		SIGNATURE	DATE
<small>THE INFORMATION CONTAINED IN THIS DRAWING IS THE SOLE PROPERTY OF KARMAN RUBBER. ANY REPRODUCTION IN PART OR AS A WHOLE WITHOUT THE WRITTEN PERMISSION OF KARMAN RUBBER IS PROHIBITED.</small>	DRAWN	B. SENEAL	09/29/2014
	CHECK	S. BROWN	09/29/2014
	ENGR	B. SENEAL	09/29/2014
	QA		
	STRESS		
	APPR		

UNLESS OTHERWISE SPECIFIED:
 DIMENSIONS ARE IN INCHES
 TOLERANCES:
 .X =
 .XX = ± 0.031
 .XXX =
 ANGLES = ± 1°
 INTERPRET GEOMETRIC TOLERANCING PER: ASME Y14.5M-1994



TITLE: **K190-3 SERIES VIBRO-INSULATOR**
WWW.KARMAN.COM

SIZE	CAGE CODE	DWG. NO.	REV
B		K190-3	1
DO NOT SCALE DRAWING		SCALE: 1:1	WEIGHT: 5.30 OZ. SHEET 1 OF 1