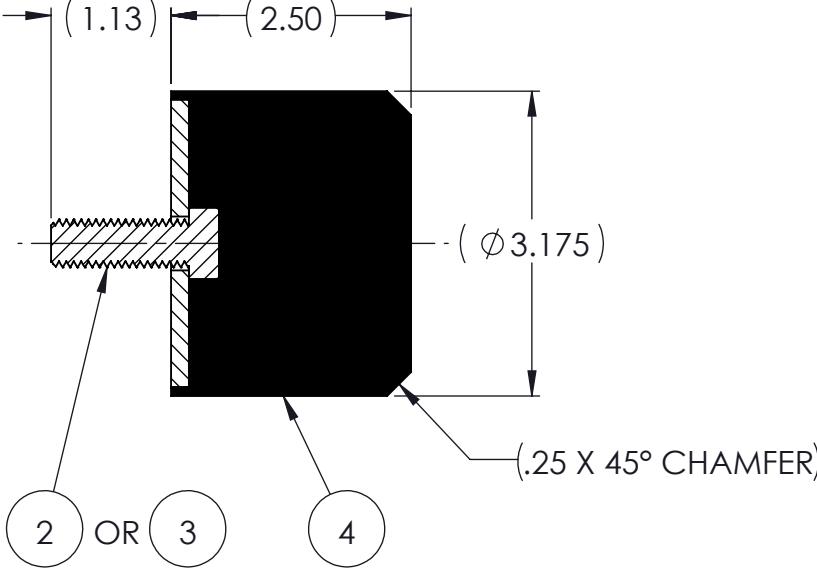
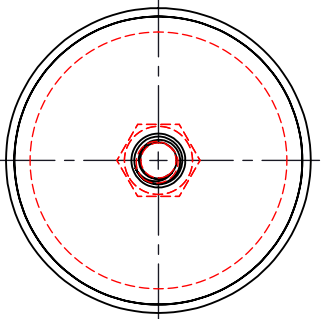
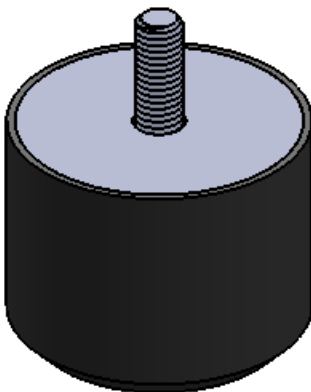


REVISIONS			
REV.	DESCRIPTION	DATE	APPROVED
1	INITIAL RELEASE OF DRAWING	8/14/2014	BS



NOTES:

- 1 MATERIAL: ELASTOMER AND DUROMETER OF 40, 50, 60 OR 70 TO BE SPECIFIED.
- 2 ALL DIMENSIONS ARE REFERENCE.
- 3 AVAILABLE WITH THREADS OF 1/2-13 X 1-1/8" AND M12 X 1.75 X 1-1/18".

QTY.	DESCRIPTION	PART NUMBER	MATERIAL OR NOTES	ITEM
AR	ELASTOMER	K179-4		4
1	MK720-M12	MK720-M12		3
1	MK720-PT	MK720-PT		2
	K179	K179		1

PROPRIETARY AND CONFIDENTIAL THE INFORMATION CONTAINED IN THIS DRAWING IS THE SOLE PROPERTY OF KARMAN RUBBER. ANY REPRODUCTION IN PART OR AS A WHOLE WITHOUT THE WRITTEN PERMISSION OF KARMAN RUBBER IS PROHIBITED.	SIGNATURE		DATE
	DRAWN	B. SENEAL	08/14/2014
	CHECK	S. BROWN	08/14/2014
	ENGR	B. SENEAL	08/14/2014
	QA		
	STRESS		
APPR			

UNLESS OTHERWISE SPECIFIED:
 DIMENSIONS ARE IN INCHES
 TOLERANCES:
 .X =
 .XX = ± 0.031
 .XXX =
 ANGLES = ± 1°
 INTERPRET GEOMETRIC TOLERANCING PER: ASME Y14.5M-1994



TITLE: **K179 SERIES VIBRO-INSULATOR**
WWW.KARMAN.COM

SIZE	CAGE CODE	DWG. NO.	REV
B		K179	1
DO NOT SCALE DRAWING		SCALE: 1:2	WEIGHT: 1 LB. SHEET 1 OF 1