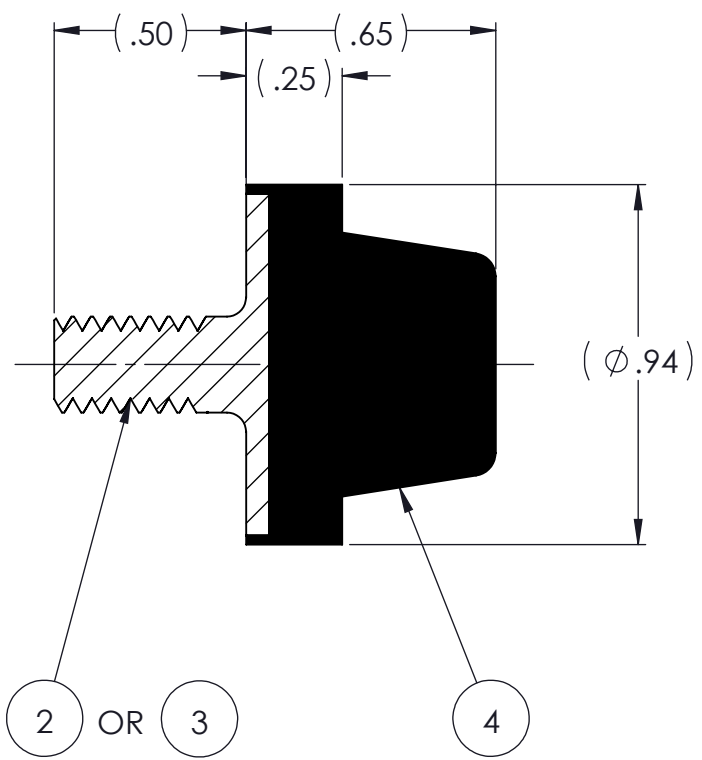
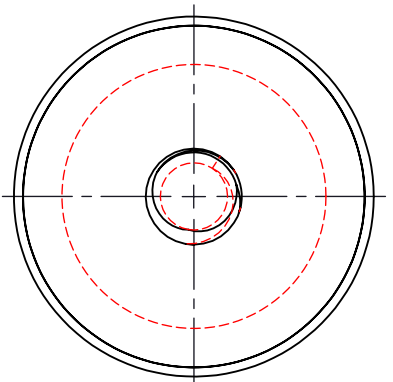
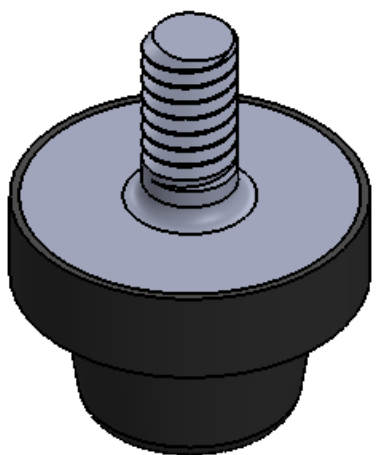


REVISIONS			
REV.	DESCRIPTION	DATE	APPROVED
1	INITIAL RELEASE OF DRAWING	8/14/2014	BS



NOTES:

- 1 MATERIAL: ELASTOMER AND DUROMETER OF 40, 50, 60 OR 70 TO BE SPECIFIED.
- 2 ALL DIMENSIONS ARE REFERENCE.
- 3 AVAILABLE WITH THREADS OF 1/4-20 UNC X 1/2" AND M6 X 1.00 X 1/2".

AR	DESCRIPTION	PART NUMBER	MATERIAL OR NOTES	ITEM
	ELASTOMER	K171-4	1	4
1	MK470-M6	MK470-M6		3
1	MK470-AA	MK470-AA		2
	K171	K171		1

PROPRIETARY AND CONFIDENTIAL THE INFORMATION CONTAINED IN THIS DRAWING IS THE SOLE PROPERTY OF KARMAN RUBBER. ANY REPRODUCTION IN PART OR AS A WHOLE WITHOUT THE WRITTEN PERMISSION OF KARMAN RUBBER IS PROHIBITED.	SIGNATURE		DATE
	DRAWN	B. SENEAL	08/14/2014
	CHECK	S. BROWN	08/14/2014
	ENGR	B. SENEAL	08/14/2014
	QA		
	STRESS		
APPR			

UNLESS OTHERWISE SPECIFIED:  
 DIMENSIONS ARE IN INCHES  
 TOLERANCES:  
 .X =  
 .XX = ± 0.031  
 .XXX =  
 ANGLES = ± 1°  
 INTERPRET GEOMETRIC TOLERANCING PER: ASME Y14.5M-1994



TITLE: K171 SERIES VIBRO-INSULATOR WWW.KARMAN.COM			
SIZE: <b>B</b>	CAGE CODE	DWG. NO. K171	REV 1
DO NOT SCALE DRAWING	SCALE: 2:1	WEIGHT: .35 OZ.	SHEET 1 OF 1