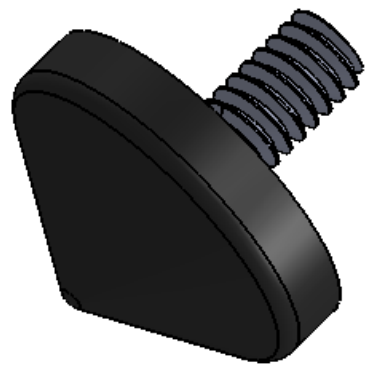
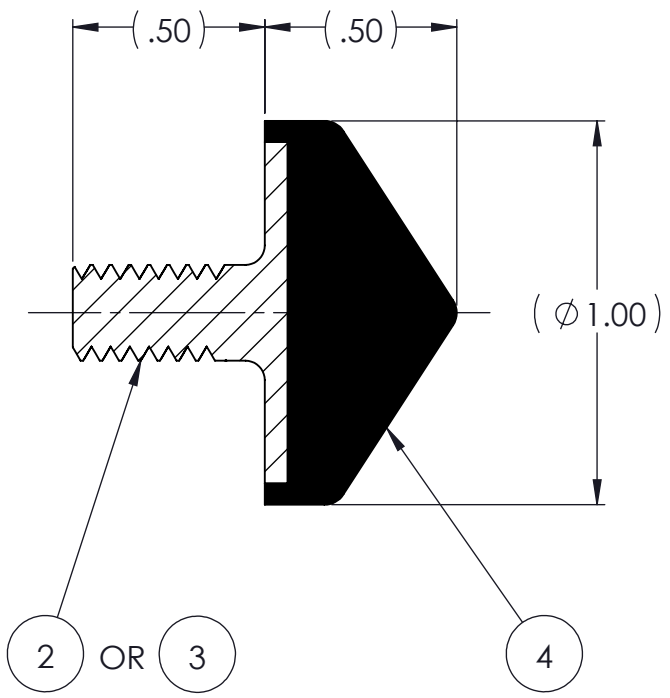
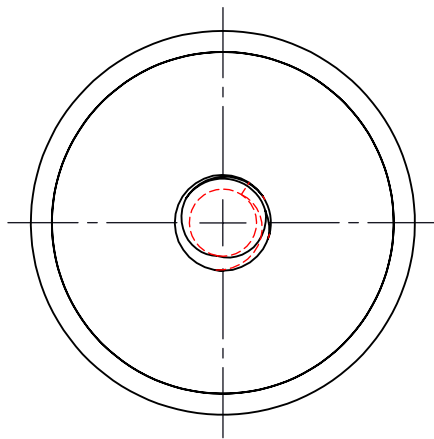


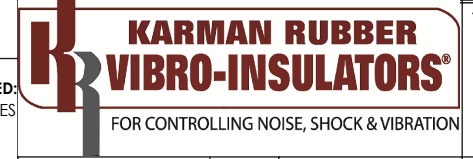
REVISIONS			
REV.	DESCRIPTION	DATE	APPROVED
1	INITIAL RELEASE OF DRAWING	8/14/2014	BS



NOTES:

- 1 MATERIAL: ELASTOMER AND DUROMETER OF 40, 50, 60 OR 70 TO BE SPECIFIED.
- 2 ALL DIMENSIONS ARE REFERENCE.
- 3 AVAILABLE WITH THREADS OF 1/4-20 UNC X 1/2" AND M6 X 1.00 X 1/2".

PROPRIETARY AND CONFIDENTIAL	SIGNATURE	DATE	UNLESS OTHERWISE SPECIFIED:
THE INFORMATION CONTAINED IN THIS DRAWING IS THE SOLE PROPERTY OF KARMAN RUBBER. ANY REPRODUCTION IN PART OR AS A WHOLE WITHOUT THE WRITTEN PERMISSION OF KARMAN RUBBER IS PROHIBITED.	DRAWN	B. SENEAL	DIMENSIONS ARE IN INCHES TOLERANCES: .X = .XX = ± 0.031 .XXX = ANGLES = ± 1° INTERPRET GEOMETRIC TOLERANCING PER: ASME Y14.5M-1994
	CHECK	S. BROWN	
	ENGR	B. SENEAL	
	QA		
	STRESS		
	APPR		



TITLE: **K170 SERIES VIBRO-INSULATOR**
WWW.KARMAN.COM

AR	ELASTOMER	K170-4		4
1	MK470-M6	MK470-M6		3
1	MK470-AA	MK470-AA		2
	K170	K170		1
QTY.	DESCRIPTION	PART NUMBER	MATERIAL OR NOTES	ITEM

SIZE	CAGE CODE	DWG. NO.	REV
B		K170	1
DO NOT SCALE DRAWING		SCALE: 2:1	WEIGHT: .35 OZ.
			SHEET 1 OF 1