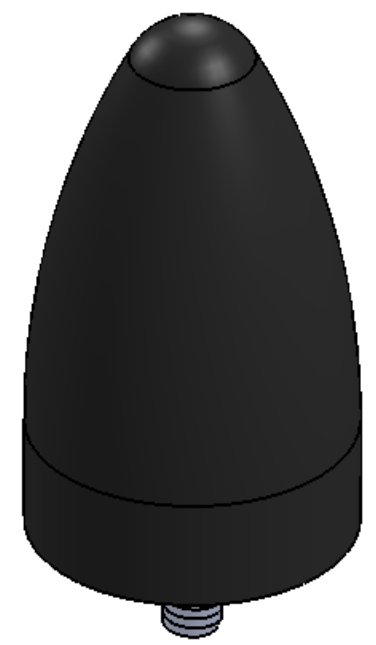
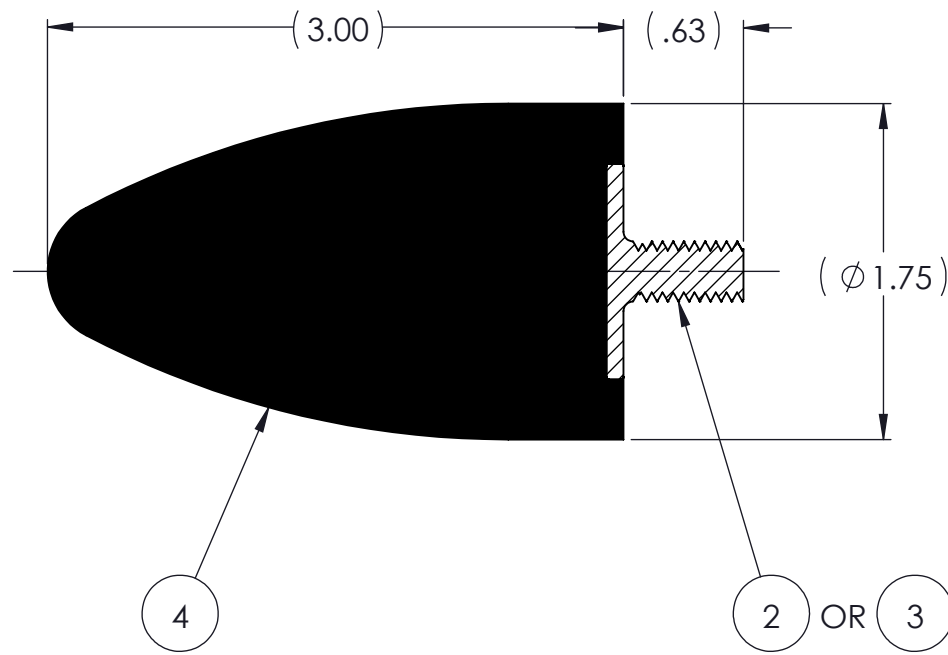
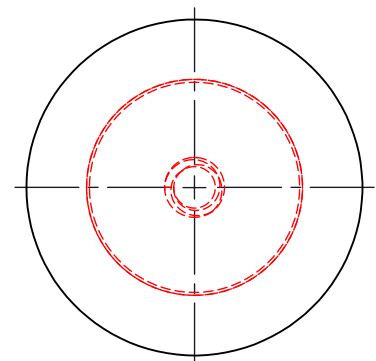


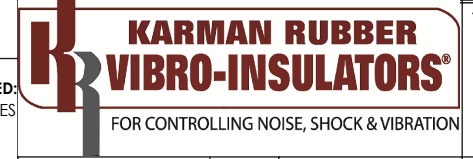
REVISIONS			
REV.	DESCRIPTION	DATE	APPROVED
1	INITIAL RELEASE OF DRAWING	8/14/2014	BS



NOTES:

- 1 MATERIAL: ELASTOMER AND DUROMETER OF 40, 50, 60 OR 70 TO BE SPECIFIED.
- 2 ALL DIMENSIONS ARE REFERENCE.
- 3 AVAILABLE WITH THREADS OF 5/16-18 UNC X 5/8" AND M8 X 1.25 X 5/8".

PROPRIETARY AND CONFIDENTIAL	SIGNATURE	DATE	UNLESS OTHERWISE SPECIFIED:
THE INFORMATION CONTAINED IN THIS DRAWING IS THE SOLE PROPERTY OF KARMAN RUBBER. ANY REPRODUCTION IN PART OR AS A WHOLE WITHOUT THE WRITTEN PERMISSION OF KARMAN RUBBER IS PROHIBITED.	DRAWN	B. SENEAL	DIMENSIONS ARE IN INCHES TOLERANCES: .X = .XX = ± 0.031 .XXX = ANGLES = ± 1° INTERPRET GEOMETRIC TOLERANCING PER: ASME Y14.5M-1994
	CHECK	S. BROWN	
	ENGR	B. SENEAL	
	QA		
	STRESS		
	APPR		



QTY.	DESCRIPTION	PART NUMBER	MATERIAL OR NOTES	ITEM
	AR ELASTOMER	K136-4		4
1	MK430-M8-5/8	MK430-M8-5/8		3
1	MK430-CC	MK430-CC		2
	K163	K163		1

TITLE: K163 SERIES VIBRO-INSULATOR WWW.KARMAN.COM			
SIZE: B	CAGE CODE	DWG. NO. K163	REV 1
DO NOT SCALE DRAWING		SCALE: 1:1	WEIGHT: 3.75 OZ. SHEET 1 OF 1