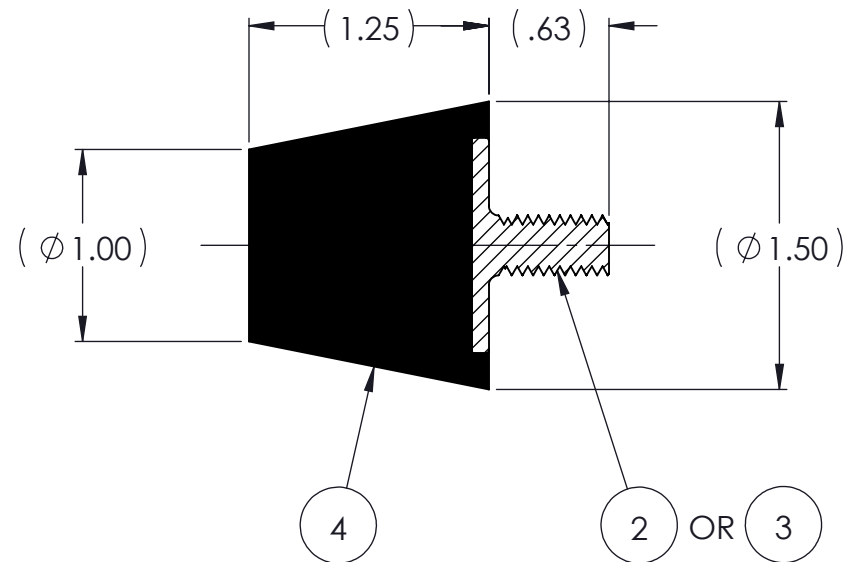
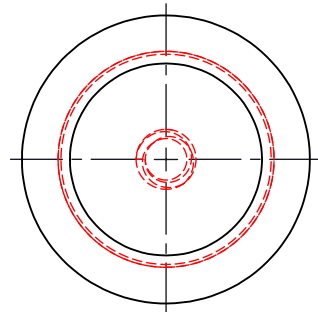
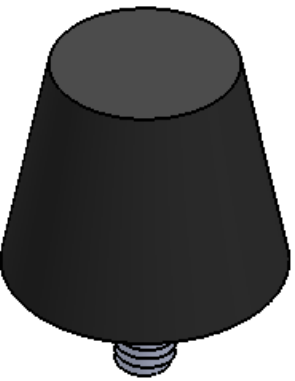


REVISIONS			
REV.	DESCRIPTION	DATE	APPROVED
1	INITIAL RELEASE OF DRAWING	8/12/2014	BS



NOTES:

- 1 MATERIAL: ELASTOMER AND DUROMETER OF 40, 50, 60 OR 70 TO BE SPECIFIED.
- 2 ALL DIMENSIONS ARE REFERENCE.
- 3 AVAILABLE WITH THREADS OF 5/16-18 UNX X 5/8" AND M8 X 1.25 X 5/8".

AR	DESCRIPTION	PART NUMBER	MATERIAL OR NOTES	ITEM
	ELASTOMER	K131-4	⚠	4
1	MK430-M8-5/8	MK430-M8-5/8		3
1	MK430-CC	MK430-CC		2
	K131	K131		1

PROPRIETARY AND CONFIDENTIAL THE INFORMATION CONTAINED IN THIS DRAWING IS THE SOLE PROPERTY OF KARMAN RUBBER. ANY REPRODUCTION IN PART OR AS A WHOLE WITHOUT THE WRITTEN PERMISSION OF KARMAN RUBBER IS PROHIBITED.	SIGNATURE		DATE
	DRAWN	B. SENEAL	08/12/2014
	CHECK	S. BROWN	08/12/2014
	ENGR	B. SENEAL	08/12/2014
	QA		
	STRESS		
APPR			

UNLESS OTHERWISE SPECIFIED:
DIMENSIONS ARE IN INCHES
TOLERANCES:
.X =
.XX = ± 0.031
.XXX =
ANGLES = ± 1°
INTERPRET GEOMETRIC TOLERANCING PER: ASME Y14.5M-1994



TITLE: K131 SERIES VIBRO-INSULATOR WWW.KARMAN.COM			
SIZE: B	CAGE CODE	DWG. NO. K131	REV 1
DO NOT SCALE DRAWING	SCALE: 1:1	WEIGHT: 1.65 OZ.	SHEET 1 OF 1