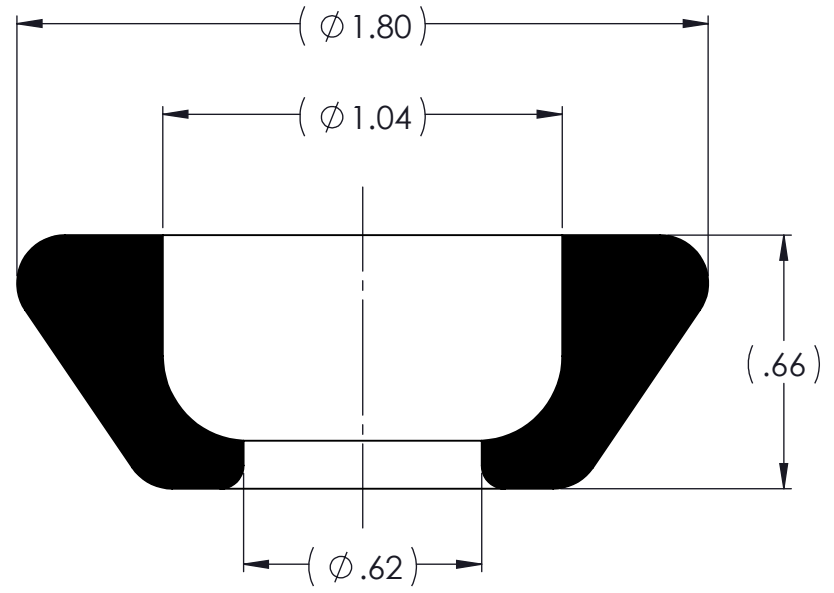
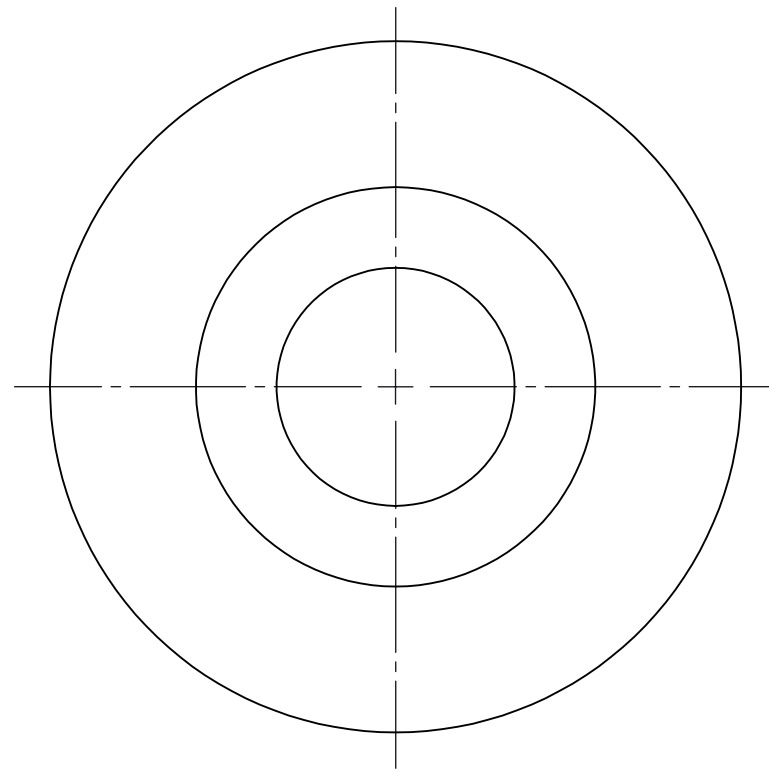


REVISIONS			
REV.	DESCRIPTION	DATE	APPROVED
1	INITIAL RELEASE OF DRAWING	11/4/2014	BS
2	ID IS $\phi 1.04$, WAS $\phi 1.06$.	11/19/2014	BS



NOTES:

- 1 MATERIAL: ELASTOMER AND DUROMETER OF 30, 40, 50, 60 OR 70 TO BE SPECIFIED.
- 2 ALL DIMENSIONS ARE REFERENCE.

PROPRIETARY AND CONFIDENTIAL THE INFORMATION CONTAINED IN THIS DRAWING IS THE SOLE PROPERTY OF KARMAN RUBBER. ANY REPRODUCTION IN PART OR AS A WHOLE WITHOUT THE WRITTEN PERMISSION OF KARMAN RUBBER IS PROHIBITED.	SIGNATURE		DATE
	DRAWN	B. SENEAL	11/04/2014
	CHECK	S. BROWN	11/04/2014
	ENGR	B. SENEAL	11/04/2014
	QA		
	STRESS		
APPR			

UNLESS OTHERWISE SPECIFIED:
DIMENSIONS ARE IN INCHES
TOLERANCES:
.X =
.XX = ± 0.031
.XXX =
ANGLES = $\pm 1^\circ$
INTERPRET GEOMETRIC TOLERANCING PER: ASME Y14.5M-1994



TITLE: K1160B SERIES VIBRO-INSULATOR WWW.KARMAN.COM		REV 2	
SIZE B	CAGE CODE	DWG. NO. K1160B	SCALE: 1:1
DO NOT SCALE DRAWING		WEIGHT: N/A	SHEET 1 OF 1

QTY.	DESCRIPTION	PART NUMBER	MATERIAL OR NOTES	ITEM
	K1160B	K1160B		1