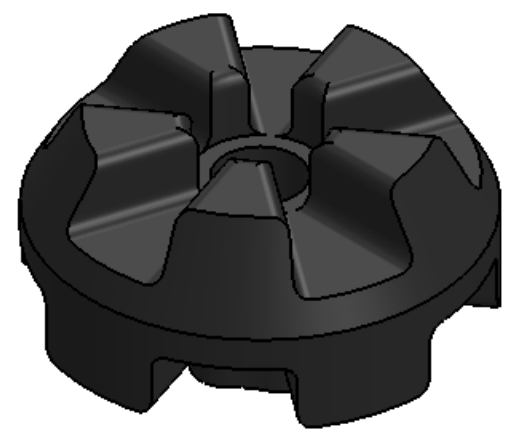
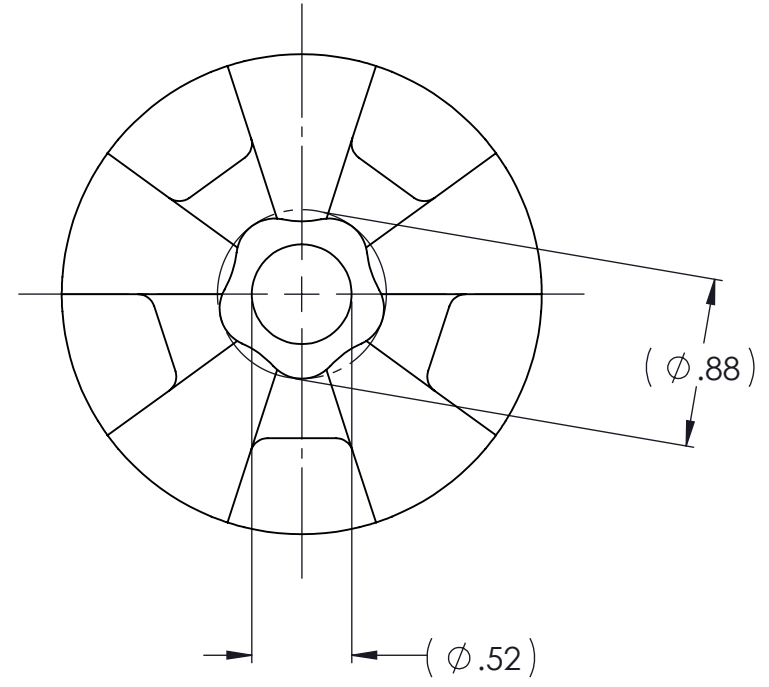
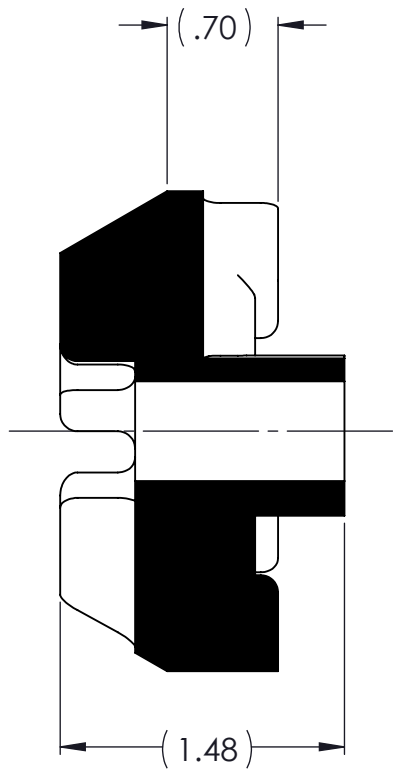
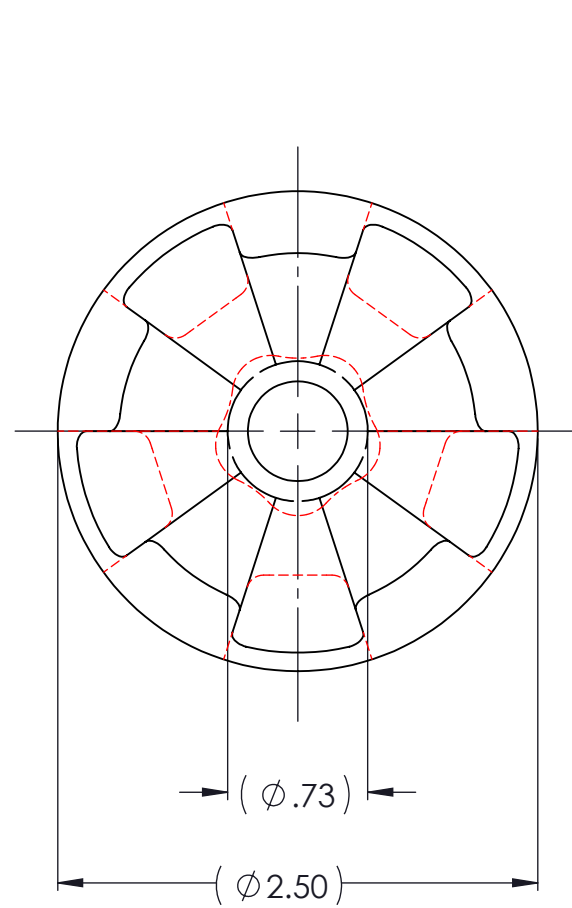


REVISIONS			
REV.	DESCRIPTION	DATE	APPROVED
1	INITIAL RELEASE OF DRAWING	11/4/2014	BS
2	REVISE HEIGHT DIMENSION.	11/19/2014	BS
3	REVISE HEIGHT OF BOTTOM FINGERS.	1/2/2015	BS



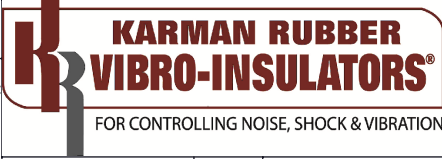
NOTES:

- 1 MATERIAL: ELASTOMER AND DUROMETER OF 30, 40, 50, 60 OR 70 TO BE SPECIFIED.
- 2 ALL DIMENSIONS ARE REFERENCE.

QTY.	DESCRIPTION	PART NUMBER	MATERIAL OR NOTES	ITEM
	K1160A	K1160A		1

PROPRIETARY AND CONFIDENTIAL		SIGNATURE	DATE
DRAWN		B. SENEAL	11/04/2014
CHECK		S. BROWN	11/04/2014
ENGR		B. SENEAL	11/04/2014
QA			
STRESS			
APPR			

UNLESS OTHERWISE SPECIFIED:  
 DIMENSIONS ARE IN INCHES  
 TOLERANCES:  
 .X =  
 .XX = ± 0.031  
 .XXX =  
 ANGLES = ± 1°  
 INTERPRET GEOMETRIC TOLERANCING PER: ASME Y14.5M-1994



TITLE: K1160A SERIES VIBRO-INSULATOR  
 WWW.KARMAN.COM

SIZE	CAGE CODE	DWG. NO.	REV
<b>B</b>		K1160A	3
DO NOT SCALE DRAWING		SCALE: 1:1	WEIGHT: N/A
		SHEET 1 OF 1	