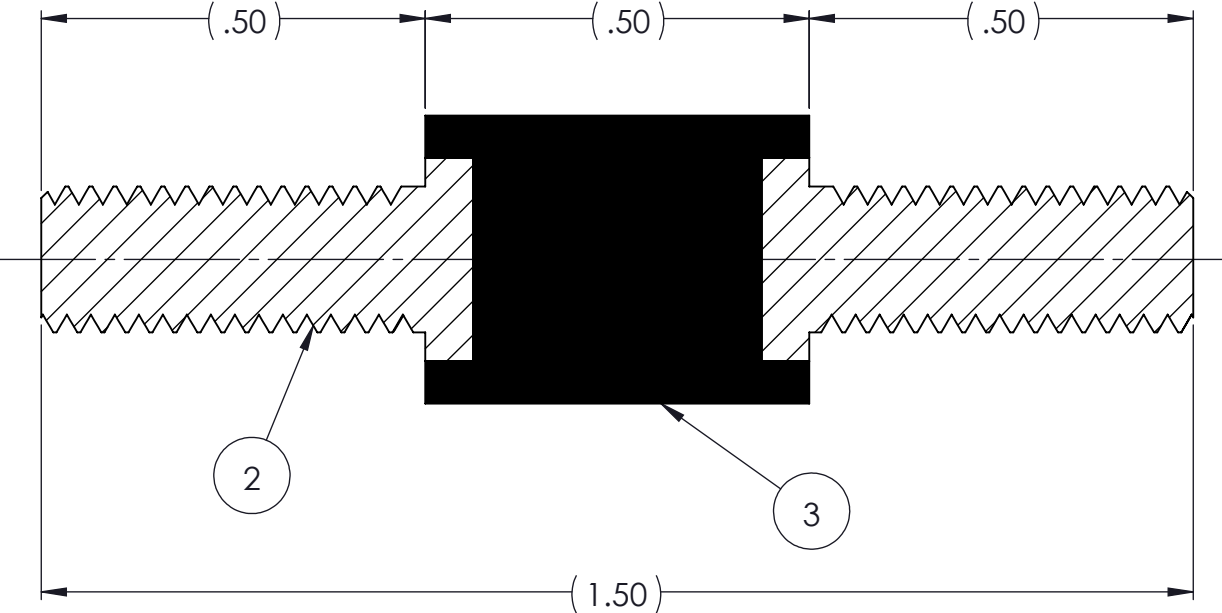
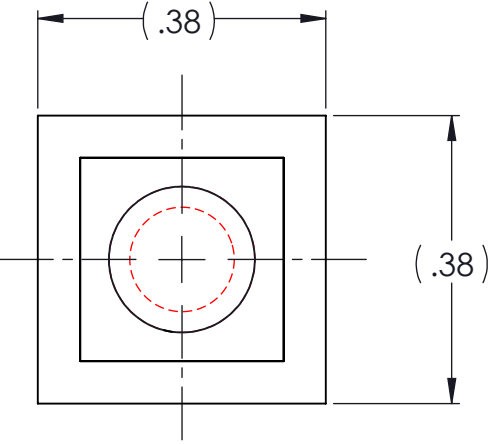
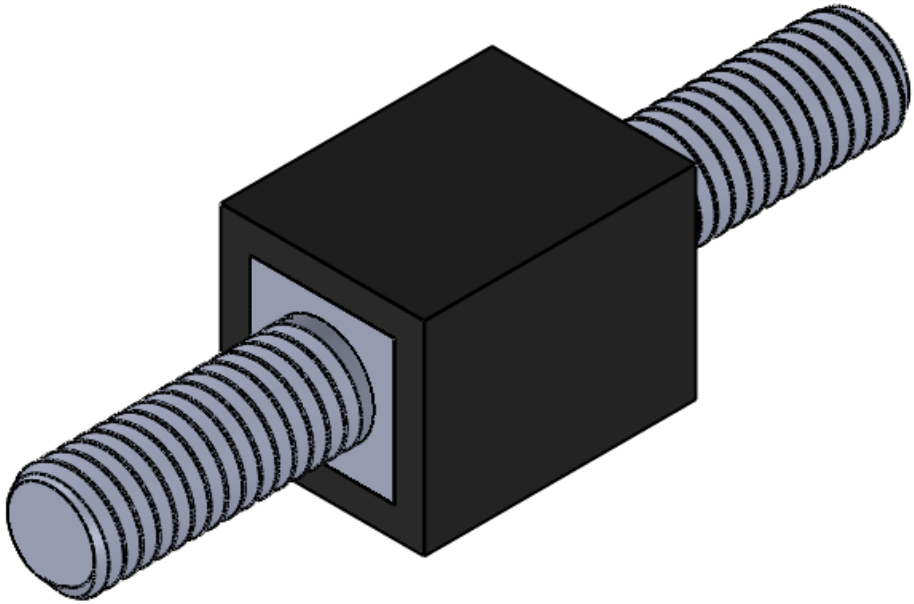


REVISIONS			
REV.	DESCRIPTION	DATE	APPROVED
1	INITIAL RELEASE OF DRAWING	5/30/2014	BS
2	ADD NOTE 3	8/15/2014	BS



NOTES:

- 1 MATERIAL: ELASTOMER AND DUROMETER OF 40, 50, 60 OR 70 TO BE SPECIFIED.
- 2 ALL DIMENSIONS ARE REFERENCE.
- 3 AVAILABLE WITH 10-32 UNF X 1/2" THREAD.

QTY.	DESCRIPTION	PART NUMBER	MATERIAL OR NOTES	ITEM
AR	ELASTOMER	S120-3		3
2	MS120	MS120		2
	S120	S120		1

PROPRIETARY AND CONFIDENTIAL THE INFORMATION CONTAINED IN THIS DRAWING IS THE SOLE PROPERTY OF KARMAN RUBBER. ANY REPRODUCTION IN PART OR AS A WHOLE WITHOUT THE WRITTEN PERMISSION OF KARMAN RUBBER IS PROHIBITED.	SIGNATURE		DATE
	DRAWN	B. SENEAL	05/30/2014
	CHECK	S. BROWN	05/30/2014
	ENGR	B. SENEAL	05/30/2014
	QA		
	STRESS		
APPR			

UNLESS OTHERWISE SPECIFIED:
 DIMENSIONS ARE IN INCHES
 TOLERANCES:
 .X =
 .XX = ± 0.031
 .XXX =
 ANGLES = ± 1°
 INTERPRET GEOMETRIC TOLERANCING PER: ASME Y14.5M-1994



TITLE: S120 SERIES VIBRO-INSULATOR WWW.KARMAN.COM			
SIZE	CAGE CODE	DWG. NO.	REV
B		S120	2
DO NOT SCALE DRAWING		SCALE: 4:1	WEIGHT: .20 OZ. SHEET 1 OF 1