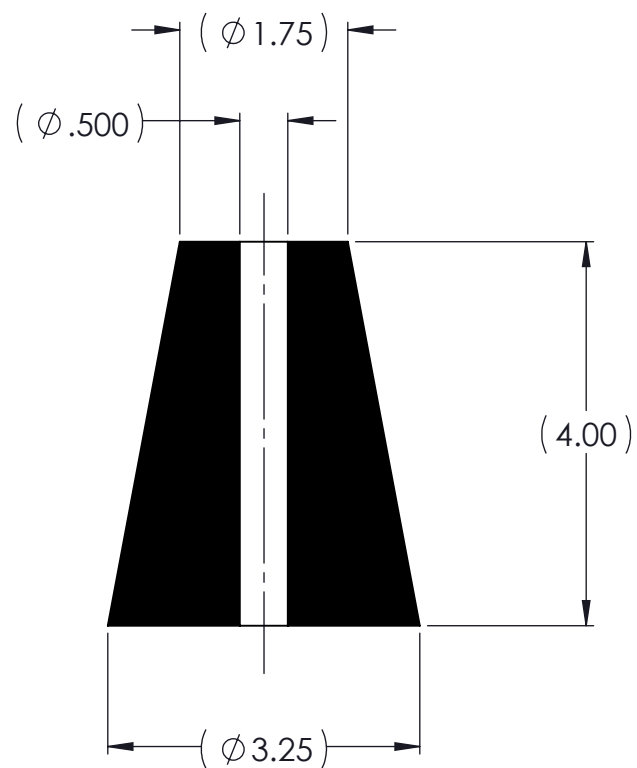
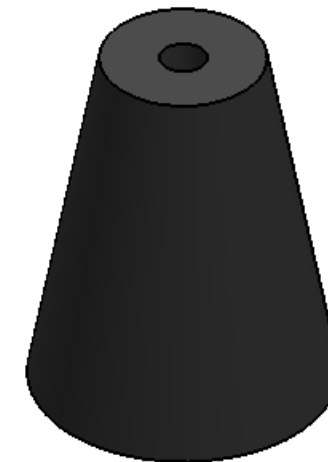
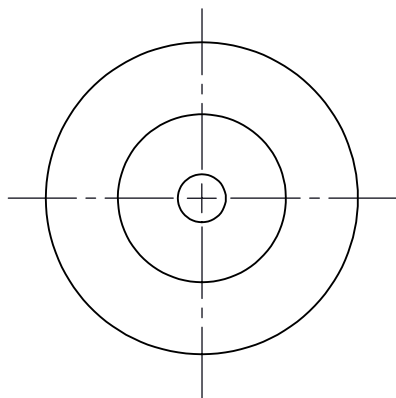


REVISIONS			
REV.	DESCRIPTION	DATE	APPROVED
1	INITIAL RELEASE OF DRAWING	10/22/2014	BS



NOTES:

- 1 MATERIAL: ELASTOMER AND DUROMETER TO BE SPECIFIED.
- 2 ALL DIMENSIONS ARE REFERENCE.

PROPRIETARY AND CONFIDENTIAL THE INFORMATION CONTAINED IN THIS DRAWING IS THE SOLE PROPERTY OF KARMAN RUBBER. ANY REPRODUCTION IN PART OR AS A WHOLE WITHOUT THE WRITTEN PERMISSION OF KARMAN RUBBER IS PROHIBITED.	SIGNATURE		DATE
	DRAWN	B. SENEAL	10/22/2014
	CHECK	S. BROWN	10/22/2014
	ENGR	B. SENEAL	10/22/2014
	QA		
	STRESS		
APPR			

UNLESS OTHERWISE SPECIFIED:  
DIMENSIONS ARE IN INCHES  
TOLERANCES:  
.X =  
.XX = ± 0.031  
.XXX =  
ANGLES = ± 1°  
INTERPRET GEOMETRIC TOLERANCING PER: ASME Y14.5M-1994



TITLE: <b>KTP5 SERIES TAPERED PLUG</b> WWW.KARMAN.COM		DWG. NO. <b>KTP5</b>		REV <b>1</b>
DO NOT SCALE DRAWING	SCALE: 1:2	WEIGHT: 12.50 OZ.	SHEET 1 OF 1	

QTY.	DESCRIPTION	PART NUMBER	MATERIAL OR NOTES	ITEM
	KTP5	KTP5		1