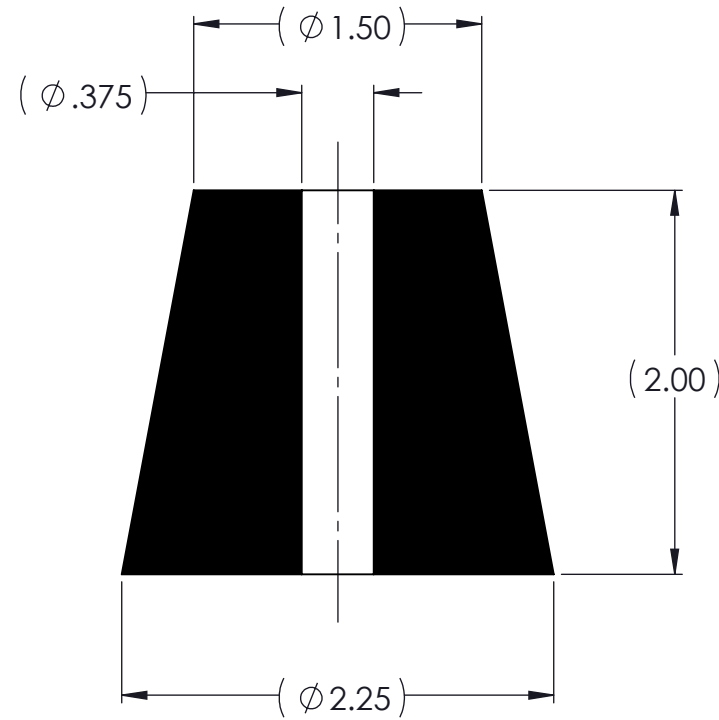
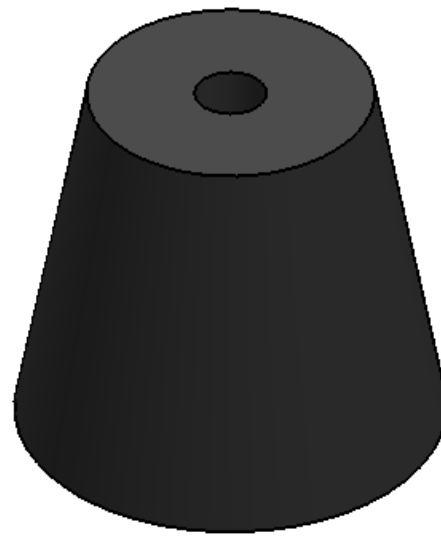
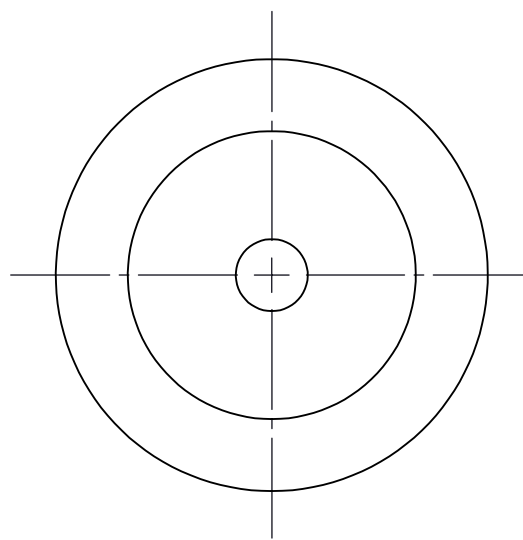


REVISIONS			
REV.	DESCRIPTION	DATE	APPROVED
1	INITIAL RELEASE OF DRAWING	10/22/2014	BS



NOTES:

- 1 MATERIAL: ELASTOMER TO BE SPECIFIED.
- 2 ALL DIMENSIONS ARE REFERENCE.

PROPRIETARY AND CONFIDENTIAL		SIGNATURE	DATE
<small>THE INFORMATION CONTAINED IN THIS DRAWING IS THE SOLE PROPERTY OF KARMAN RUBBER. ANY REPRODUCTION IN PART OR AS A WHOLE WITHOUT THE WRITTEN PERMISSION OF KARMAN RUBBER IS PROHIBITED.</small>	DRAWN	B. SENEAL	10/22/2014
	CHECK	S. BROWN	10/22/2014
	ENGR	B. SENEAL	10/22/2014
	QA		
	STRESS		
	APPR		

UNLESS OTHERWISE SPECIFIED:  
 DIMENSIONS ARE IN INCHES  
 TOLERANCES:  
 .X =  
 .XX = ± 0.031  
 .XXX =  
 ANGLES = ± 1°  
 INTERPRET GEOMETRIC TOLERANCING PER: ASME Y14.5M-1994



TITLE: <b>KTP2 SERIES TAPERD PLUG</b> WWW.KARMAN.COM		DWG. NO. <b>KTP2</b>		REV <b>1</b>
SIZE <b>B</b>	CAGE CODE	SCALE: 1:1	WEIGHT: 4.25 OZ	SHEET 1 OF 1

QTY.	DESCRIPTION	PART NUMBER	MATERIAL OR NOTES	ITEM
	KTP2	KTP2		1