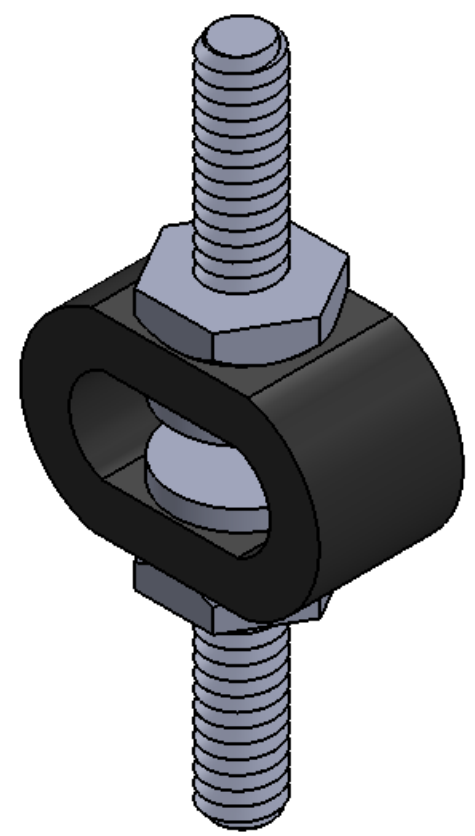
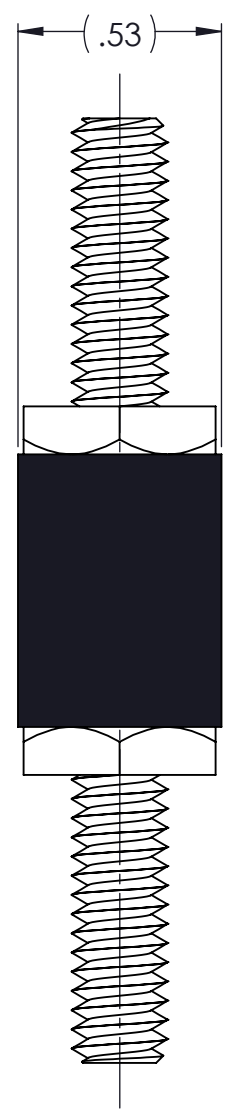
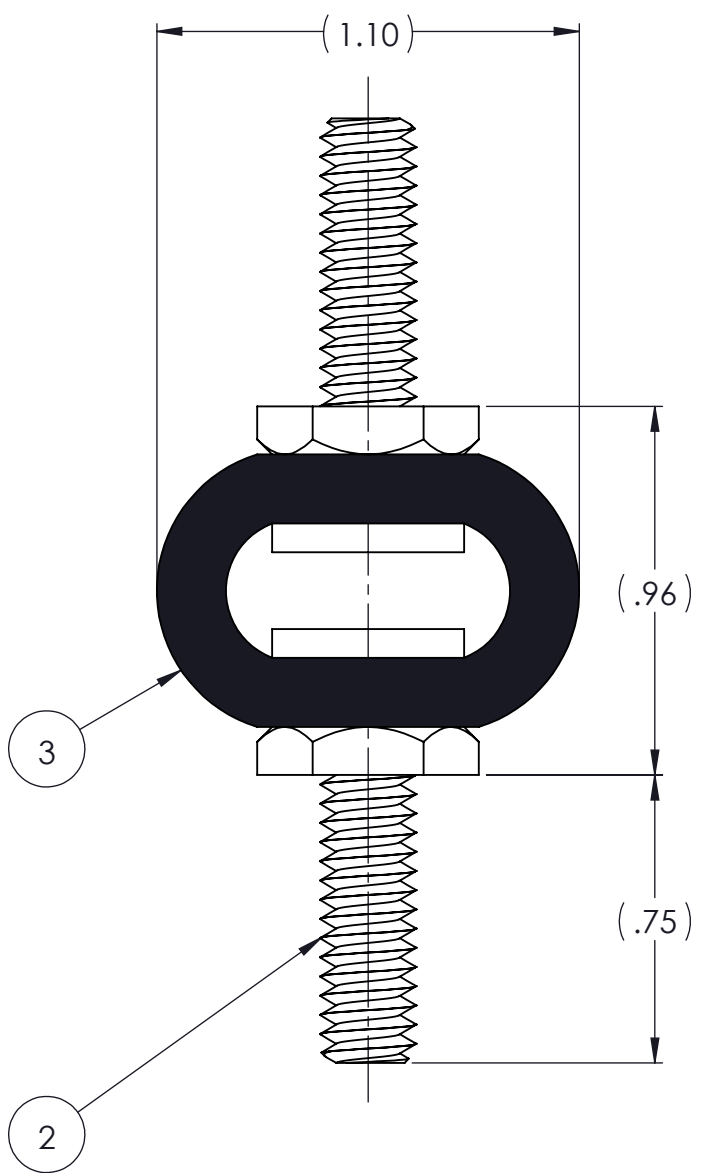


REVISIONS			
REV.	DESCRIPTION	DATE	APPROVED
1	INITIAL RELEASE OF DRAWING	10/14/2014	BS

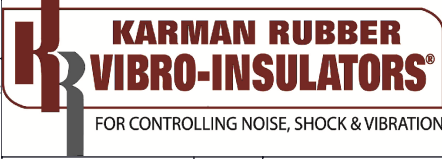


NOTES:

- 1 MATERIAL: ELASTOMER AND DUROMETER OF 50 OR 60 TO BE SPECIFIED.
- 2 ALL DIMENSIONS ARE REFERENCE.
- 3 AVAILABLE WITH THREADS OF 1/4-20 UNC.

PROPRIETARY AND CONFIDENTIAL THE INFORMATION CONTAINED IN THIS DRAWING IS THE SOLE PROPERTY OF KARMAN RUBBER. ANY REPRODUCTION IN PART OR AS A WHOLE WITHOUT THE WRITTEN PERMISSION OF KARMAN RUBBER IS PROHIBITED.	SIGNATURE		DATE
	DRAWN	B. SENECAI	10/14/2014
	CHECK	S. BROWN	10/14/2014
	ENGR	B. SENECAI	10/14/2014
	QA		
	STRESS		
APPR			

UNLESS OTHERWISE SPECIFIED:  
DIMENSIONS ARE IN INCHES  
TOLERANCES:  
.X =  
.XX = ± 0.031  
.XXX =  
ANGLES = ± 1°  
INTERPRET GEOMETRIC TOLERANCING PER: ASME Y14.5M-1994



TITLE: KR928 SERIES RING MOUNTS  
WWW.KARMAN.COM

QTY.	DESCRIPTION	PART NUMBER	MATERIAL OR NOTES	ITEM
AR	ELASTOMER	KR928-3	△	3
2	MKR928	MKR928		2
	KR928	KR928		1

SIZE	CAGE CODE	DWG. NO.	REV
<b>B</b>		KR928	1
DO NOT SCALE DRAWING		SCALE: 2:1	WEIGHT: N/A
			SHEET 1 OF 1