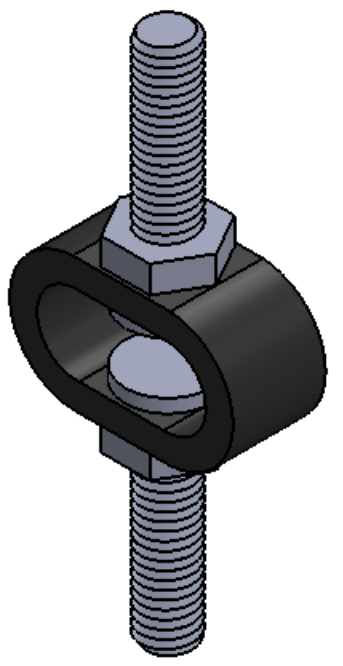
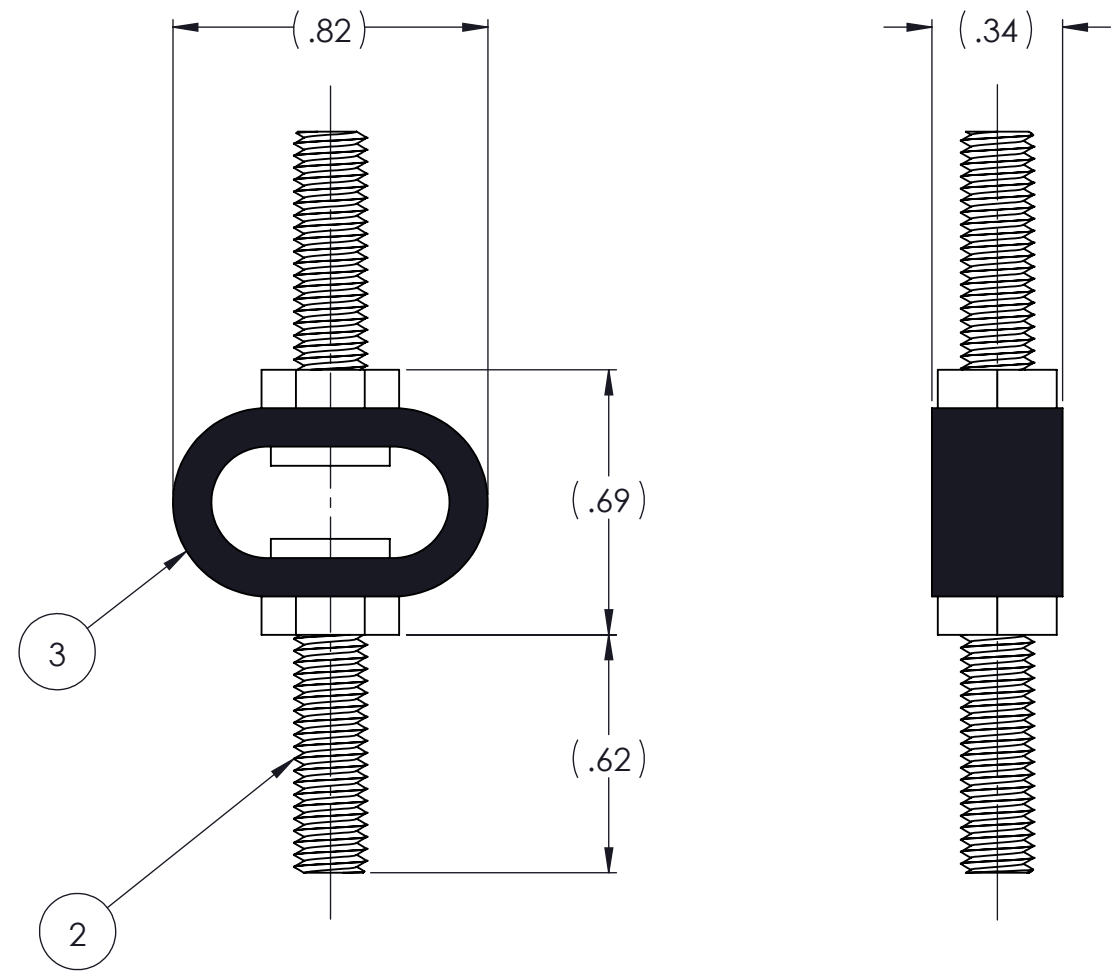


REVISIONS			
REV.	DESCRIPTION	DATE	APPROVED
1	INITIAL RELEASE OF DRAWING	10/14/2014	BS
2	WIDTH IS .82, WAS .69.	10/22/2014	BS



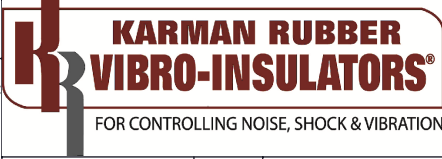
NOTES:

- 1 MATERIAL: ELASTOMER AND DUROMETER OF 50 OR 60 TO BE SPECIFIED.
- 2 ALL DIMENSIONS ARE REFERENCE.
- 3 AVAILABLE WITH THREADS OF 10-32 UNF.

QTY.	DESCRIPTION	PART NUMBER	MATERIAL OR NOTES	ITEM
AR	ELASTOMER	KR911-3	△	3
2	MKR911	MKR911		2
	KR911	KR911		1

PROPRIETARY AND CONFIDENTIAL		SIGNATURE	DATE
THE INFORMATION CONTAINED IN THIS DRAWING IS THE SOLE PROPERTY OF KARMAN RUBBER. ANY REPRODUCTION IN PART OR AS A WHOLE WITHOUT THE WRITTEN PERMISSION OF KARMAN RUBBER IS PROHIBITED.	DRAWN	B. SENEAL	10/14/2014
	CHECK	S. BROWN	10/14/2014
	ENGR	B. SENEAL	10/14/2014
	QA		
	STRESS		
	APPR		

UNLESS OTHERWISE SPECIFIED:  
 DIMENSIONS ARE IN INCHES  
 TOLERANCES:  
 .X =  
 .XX = ± 0.031  
 .XXX =  
 ANGLES = ± 1°  
 INTERPRET GEOMETRIC TOLERANCING PER: ASME Y14.5M-1994



TITLE: KR914 SERIES RING MOUNTS  
 WWW.KARMAN.COM

SIZE	CAGE CODE	DWG. NO.	REV
<b>B</b>		KR914	2
DO NOT SCALE DRAWING		SCALE: 2:1	WEIGHT: N/A
			SHEET 1 OF 1