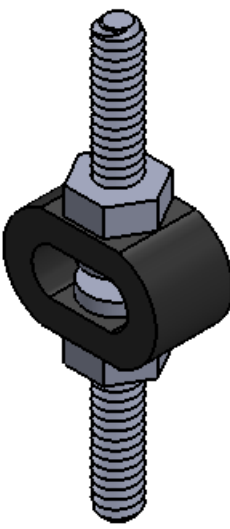
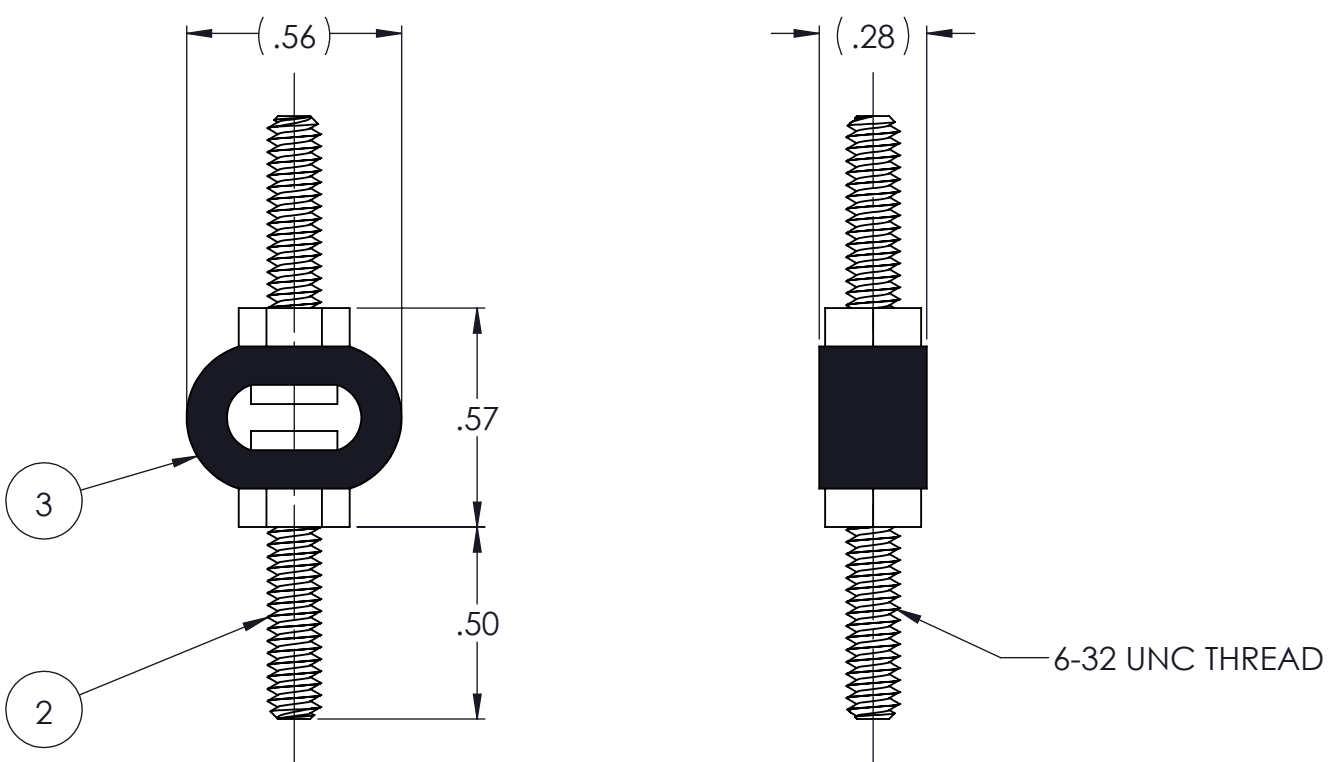


| REVISIONS | | | |
|-----------|----------------------------|------------|----------|
| REV. | DESCRIPTION | DATE | APPROVED |
| 1 | INITIAL RELEASE OF DRAWING | 12/23/2014 | BS |



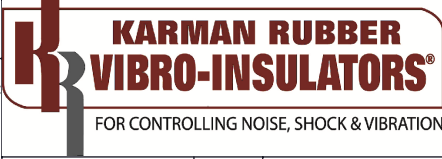
NOTES:

- 1 MATERIAL: ELASTOMER AND DUROMETER OF 40, 50, 60 OR 70 TO BE SPECIFIED.
- 2 ALL DIMENSIONS ARE REFERENCE.
- 3 AVAILABLE WITH THREADS OF 6-32 UNC.

| QTY. | DESCRIPTION | PART NUMBER | MATERIAL OR NOTES | ITEM |
|------|-------------|-------------|-------------------|------|
| AR | ELASTOMER | KR911-3 | | 3 |
| 2 | MKR911 | MKR911 | | 2 |
| | KR911 | KR911 | | 1 |

| PROPRIETARY AND CONFIDENTIAL | | SIGNATURE | DATE |
|--|--------|-----------|------------|
| THE INFORMATION CONTAINED IN THIS DRAWING IS THE SOLE PROPERTY OF KARMAN RUBBER. ANY REPRODUCTION IN PART OR AS A WHOLE WITHOUT THE WRITTEN PERMISSION OF KARMAN RUBBER IS PROHIBITED. | DRAWN | B. SENEAL | 12/23/2014 |
| | CHECK | S. BROWN | 12/23/2014 |
| | ENGR | B. SENEAL | 12/23/2014 |
| | QA | | |
| | STRESS | | |
| | APPR | | |

UNLESS OTHERWISE SPECIFIED:
 DIMENSIONS ARE IN INCHES
 TOLERANCES:
 .X =
 .XX = ± 0.031
 .XXX =
 ANGLES = ± 1°
 INTERPRET GEOMETRIC TOLERANCING PER: ASME Y14.5M-1994



TITLE: KR911 SERIES RING MOUNTS
WWW.KARMAN.COM

| SIZE | CAGE CODE | DWG. NO. | REV |
|----------------------|-----------|--------------|-------------|
| B | | KR911 | 1 |
| DO NOT SCALE DRAWING | | SCALE: 2:1 | WEIGHT: N/A |
| | | SHEET 1 OF 1 | |