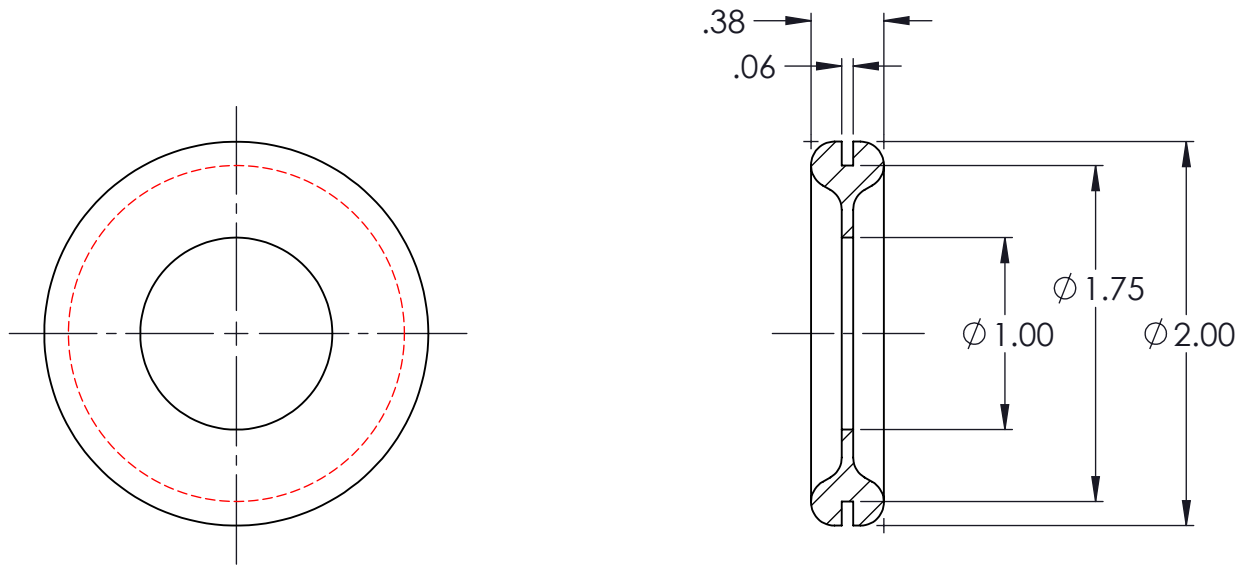


REVISIONS			
REV.	DESCRIPTION	DATE	APPROVED
1	INITIAL RELEASE OF DRAWING	4/30/2015	BS



NOTES:

1 MATERIAL: ELASTOMER AND DUROMETER TO BE SPECIFIED.

QTY.	DESCRIPTION	PART NUMBER	MATERIAL OR NOTES	ITEM
	KG-75 (87AX75)	KG-75		1

	SIGNATURE	DATE
DRAWN	B. SENEAL	04/30/2015
CHECK	S. BROWN	04/30/2015
ENGR	B. SENEAL	04/30/2015
QA		
STRESS		
APPR		

UNLESS OTHERWISE SPECIFIED:
 DIMENSIONS ARE IN INCHES
 TOLERANCES:
 .X = ± 0.1
 .XX = ± 0.01
 .XXX = ± 0.005
 ANGLES = ± 1°
 INTERPRET GEOMETRIC
 TOLERANCING PER:
 ASME Y14.5M-1994



FOR CONTROLLING NOISE, SHOCK & VIBRATION

TITLE: **KG-75 (87AX75)**
GROMMET
WWW.KARMAN.COM

SIZE	CAGE CODE	DWG. NO.	REV
B		KG-75	1

DO NOT SCALE DRAWING SCALE: 1:1 WEIGHT: N/A SHEET 1 OF 1