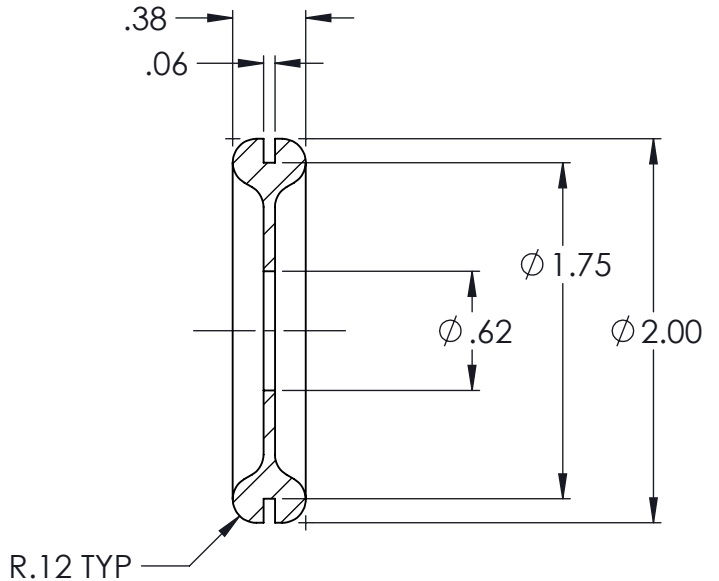
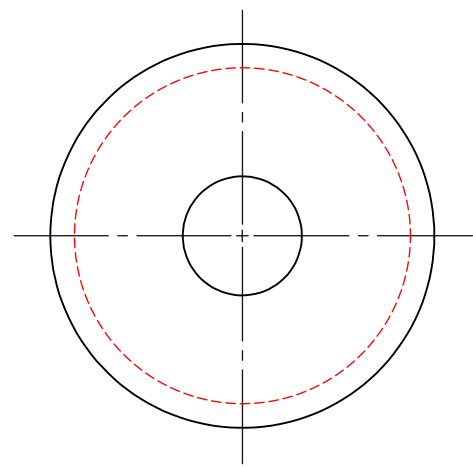


REVISIONS			
REV.	DESCRIPTION	DATE	APPROVED
1	INITIAL RELEASE OF DRAWING	4/30/2015	BS



NOTES:

1 MATERIAL: ELASTOMER AND DUROMETER TO BE SPECIFIED.

QTY.	DESCRIPTION	PART NUMBER	MATERIAL OR NOTES	ITEM
	KG-95 (87AX95)	KG-95		1

	SIGNATURE	DATE
DRAWN	B. SENECAL	04/30/2015
CHECK	S. BROWN	04/30/2015
ENGR	B. SENECAL	04/30/2015
QA		
STRESS		
APPR		

UNLESS OTHERWISE SPECIFIED:
 DIMENSIONS ARE IN INCHES
 TOLERANCES:
 .X = ± 0.1
 .XX = ± 0.01
 .XXX = ± 0.005
 ANGLES = ± 1°
 INTERPRET GEOMETRIC TOLERANCING PER: ASME Y14.5M-1994



TITLE: **KG-95 (87AX95) GROMMET**
WWW.KARMAN.COM

SIZE	CAGE CODE	DWG. NO.	REV
B		KG-95	1

DO NOT SCALE DRAWING SCALE: 1:1 WEIGHT: N/A SHEET 1 OF 1