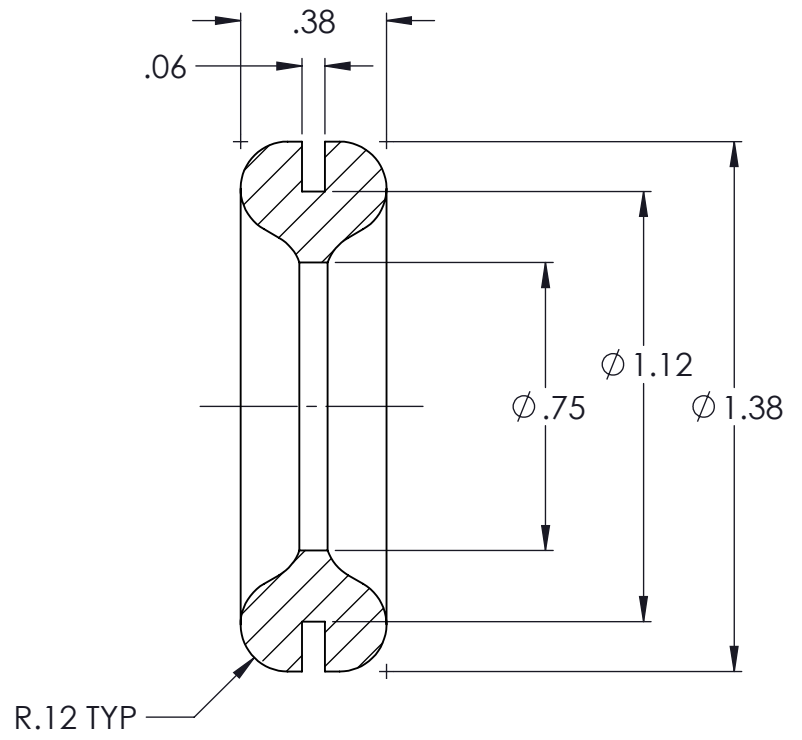
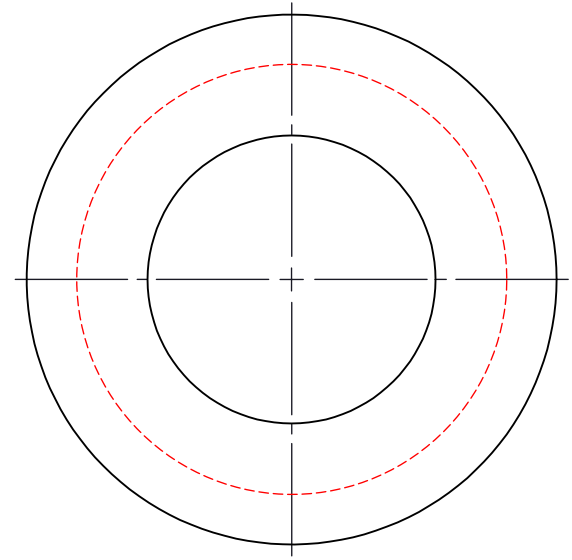


REVISIONS			
REV.	DESCRIPTION	DATE	APPROVED
1	INITIAL RELEASE OF DRAWING	4/30/2015	BS



NOTES:

1 MATERIAL: ELASTOMER AND DUROMETER TO BE SPECIFIED.

PROPRIETARY AND CONFIDENTIAL <small>THE INFORMATION CONTAINED IN THIS DRAWING IS THE SOLE PROPERTY OF KARMAN RUBBER. ANY REPRODUCTION IN PART OR AS A WHOLE WITHOUT THE WRITTEN PERMISSION OF KARMAN RUBBER IS PROHIBITED.</small>	SIGNATURE		DATE
	DRAWN	B. SENECAI	04/30/2015
	CHECK	S. BROWN	04/30/2015
	ENGR	B. SENECAI	04/30/2015
	QA		
	STRESS		
APPR			

UNLESS OTHERWISE SPECIFIED:
 DIMENSIONS ARE IN INCHES
 TOLERANCES:
 .X = ± 0.1
 .XX = ± 0.01
 .XXX = ± 0.005
 ANGLES = ± 1°
 INTERPRET GEOMETRIC TOLERANCING PER: ASME Y14.5M-1994



FOR CONTROLLING NOISE, SHOCK & VIBRATION

QTY.	DESCRIPTION	PART NUMBER	MATERIAL OR NOTES	ITEM
	KG-41 (87AX41)	KG-41		1

TITLE: **KG-41 (87AX41) GROMMET**
WWW.KARMAN.COM

SIZE	CAGE CODE	DWG. NO.	REV
B		KG-41	1

DO NOT SCALE DRAWING SCALE: 2:1 WEIGHT: N/A SHEET 1 OF 1