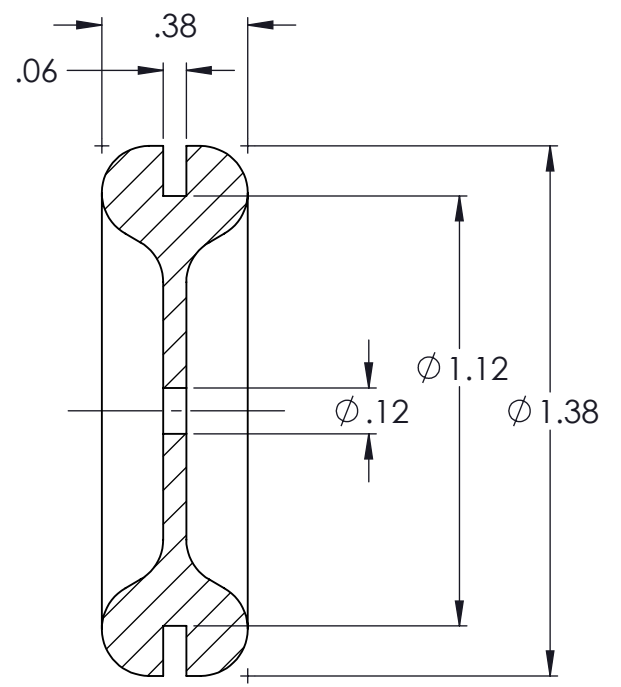
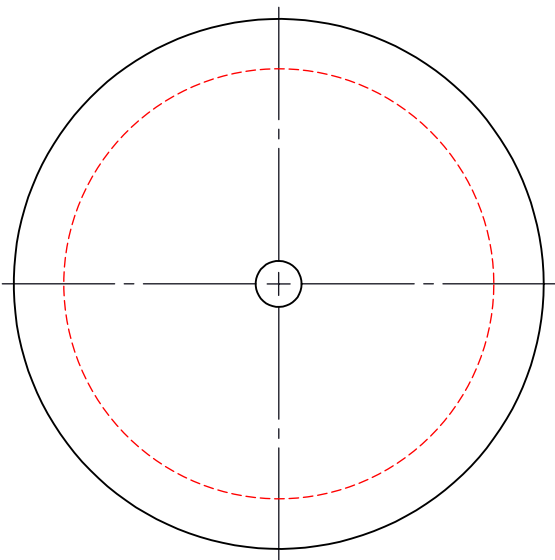


REVISIONS			
REV.	DESCRIPTION	DATE	APPROVED
1	INITIAL RELEASE OF DRAWING	4/30/2015	BS



NOTES:

1 MATERIAL: ELASTOMER AND DUROMETER TO BE SPECIFIED.

QTY.	DESCRIPTION	PART NUMBER	MATERIAL OR NOTES	ITEM
1	KG-2 (87AX2)	KG-2		1

	SIGNATURE	DATE
DRAWN	B. SENEAL	04/30/2015
CHECK	S. BROWN	04/30/2015
ENGR	B. SENEAL	04/30/2015
QA		
STRESS		
APPR		

UNLESS OTHERWISE SPECIFIED:
 DIMENSIONS ARE IN INCHES
 TOLERANCES:
 .X = ± 0.1
 .XX = ± 0.01
 .XXX = ± 0.005
 ANGLES = ± 1°
 INTERPRET GEOMETRIC
 TOLERANCING PER:
 ASME Y14.5M-1994



TITLE: **KG-2 (87AX2) GROMMET**
WWW.KARMAN.COM

SIZE	CAGE CODE	DWG. NO.	REV
B		KG-2	1
DO NOT SCALE DRAWING		SCALE: 2:1	WEIGHT: N/A
		SHEET 1 OF 1	