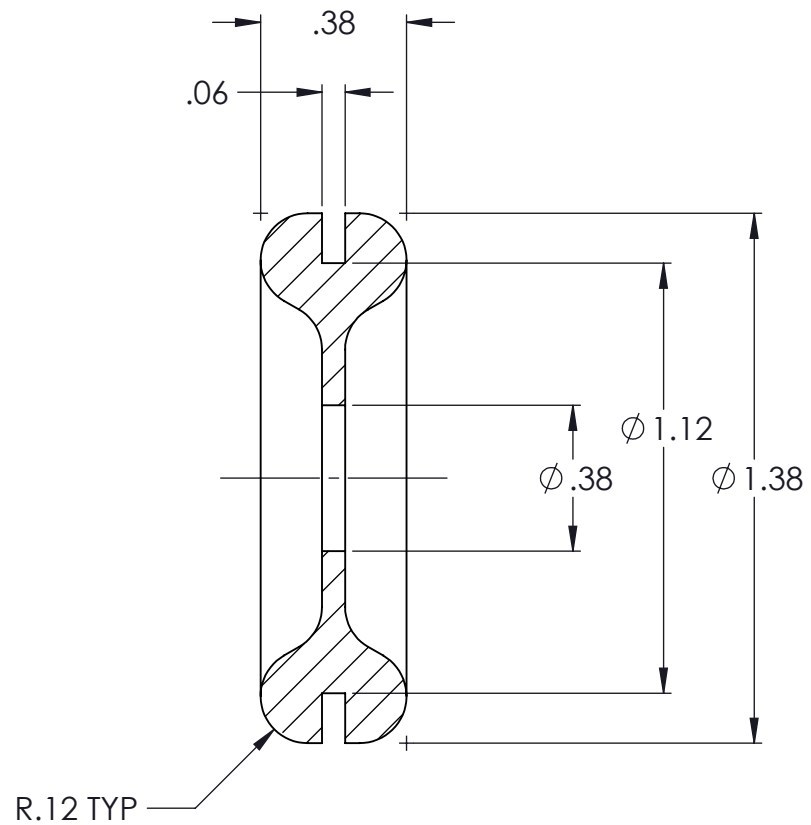
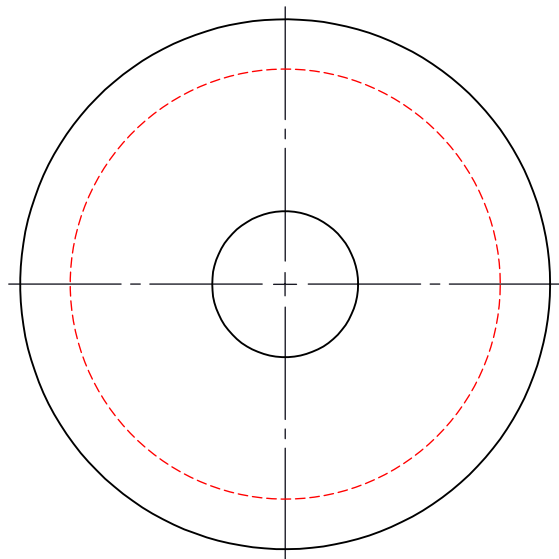


REVISIONS			
REV.	DESCRIPTION	DATE	APPROVED
1	INITIAL RELEASE OF DRAWING	4/30/2015	BS

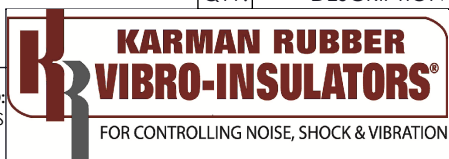


NOTES:

1 MATERIAL: ELASTOMER AND DUROMETER TO BE SPECIFIED.

PROPRIETARY AND CONFIDENTIAL		SIGNATURE	DATE
<small>THE INFORMATION CONTAINED IN THIS DRAWING IS THE SOLE PROPERTY OF KARMAN RUBBER. ANY REPRODUCTION IN PART OR AS A WHOLE WITHOUT THE WRITTEN PERMISSION OF KARMAN RUBBER IS PROHIBITED.</small>	DRAWN	B. SENEAL	04/30/2015
	CHECK	S. BROWN	04/30/2015
	ENGR	B. SENEAL	04/30/2015
	QA		
	STRESS		
	APPR		

UNLESS OTHERWISE SPECIFIED:  
 DIMENSIONS ARE IN INCHES  
 TOLERANCES:  
 .X = ± 0.1  
 .XX = ± 0.01  
 .XXX = ± 0.005  
 ANGLES = ± 1°  
 INTERPRET GEOMETRIC TOLERANCING PER: ASME Y14.5M-1994



TITLE: **KG-1 (87AX1) GROMMET**  
[WWW.KARMAN.COM](http://WWW.KARMAN.COM)

QTY.	DESCRIPTION	PART NUMBER	MATERIAL OR NOTES	ITEM
	KG-1 (87AX1)	KG-1		1

SIZE	CAGE CODE	DWG. NO.	REV
<b>B</b>		<b>KG-1</b>	<b>1</b>

DO NOT SCALE DRAWING    SCALE: 2:1    WEIGHT: N/A    SHEET 1 OF 1