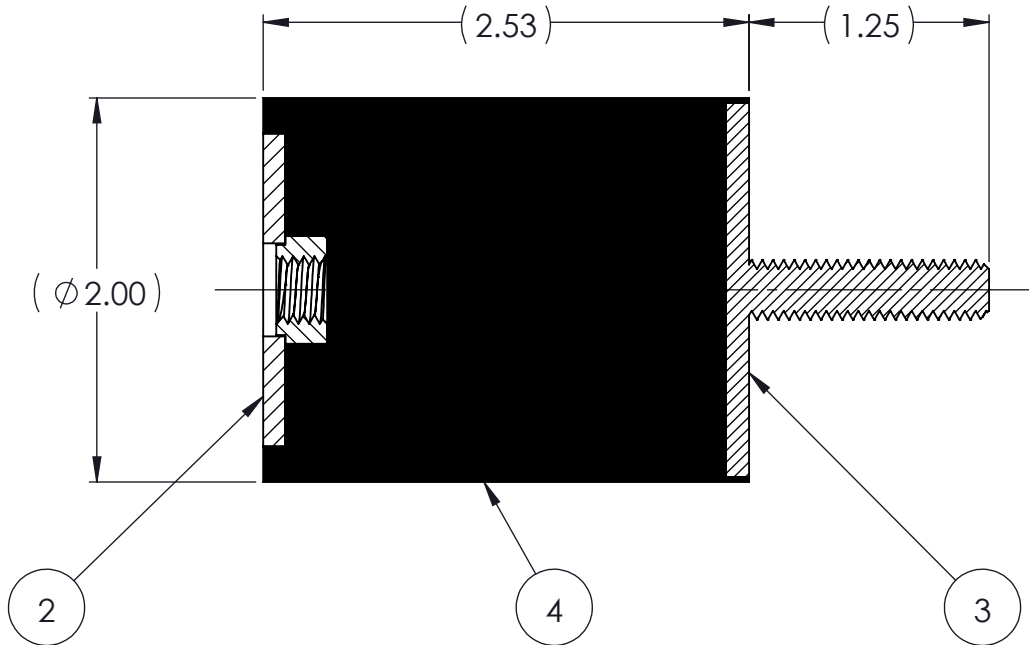
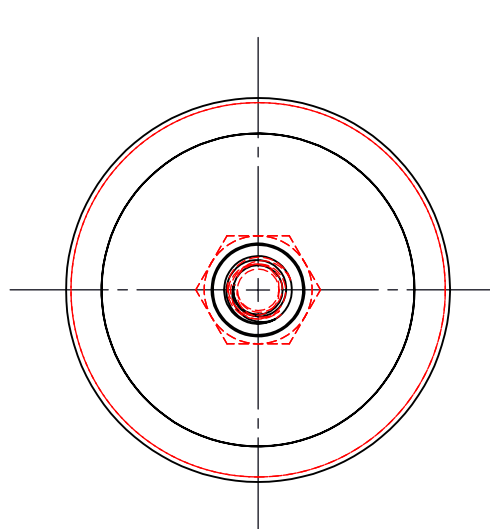


REVISIONS			
REV.	DESCRIPTION	DATE	APPROVED
1	INITIAL RELEASE OF DRAWING	11/6/2014	BS



NOTES:

- 1 MATERIAL: ELASTOMER AND DUROMETER OF 40, 50, 60 OR 70 TO BE SPECIFIED.
- 2 ALL DIMENSIONS ARE REFERENCE.
- 3 AVAILABLE WITH THREADS OF 5/16-18 UNC.

QTY.	DESCRIPTION	PART NUMBER	MATERIAL OR NOTES	ITEM
AR	ELASTOMER	K785-4	1	4
1	MK785-CT	MK785-CT		3
1	MK600C	MK600C		2
	K785	K785		1

PROPRIETARY AND CONFIDENTIAL		SIGNATURE	DATE
THE INFORMATION CONTAINED IN THIS DRAWING IS THE SOLE PROPERTY OF KARMAN RUBBER. ANY REPRODUCTION IN PART OR AS A WHOLE WITHOUT THE WRITTEN PERMISSION OF KARMAN RUBBER IS PROHIBITED.	DRAWN	B. SENEAL	11/06/2014
	CHECK	S. BROWN	11/06/2014
	ENGR	B. SENEAL	11/06/2014
	QA		
	STRESS		
	APPR		

UNLESS OTHERWISE SPECIFIED:  
 DIMENSIONS ARE IN INCHES  
 TOLERANCES:  
 .X =  
 .XX = ± 0.031  
 .XXX =  
 ANGLES = ± 1°  
 INTERPRET GEOMETRIC TOLERANCING PER: ASME Y14.5M-1994



TITLE: <b>K785 SERIES VIBRO-INSULATOR</b> WWW.KARMAN.COM		DWG. NO. <b>K785</b>	REV <b>1</b>
SIZE <b>B</b>	CAGE CODE	SCALE: 1:1	WEIGHT: N/A
DO NOT SCALE DRAWING		SHEET 1 OF 1	