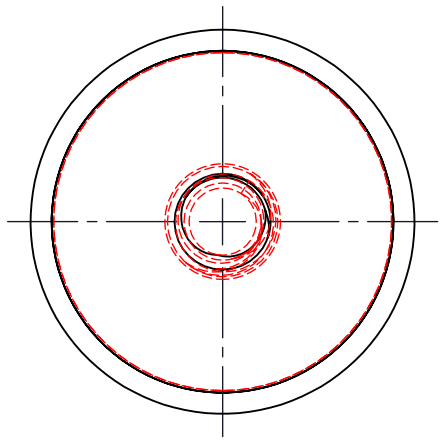
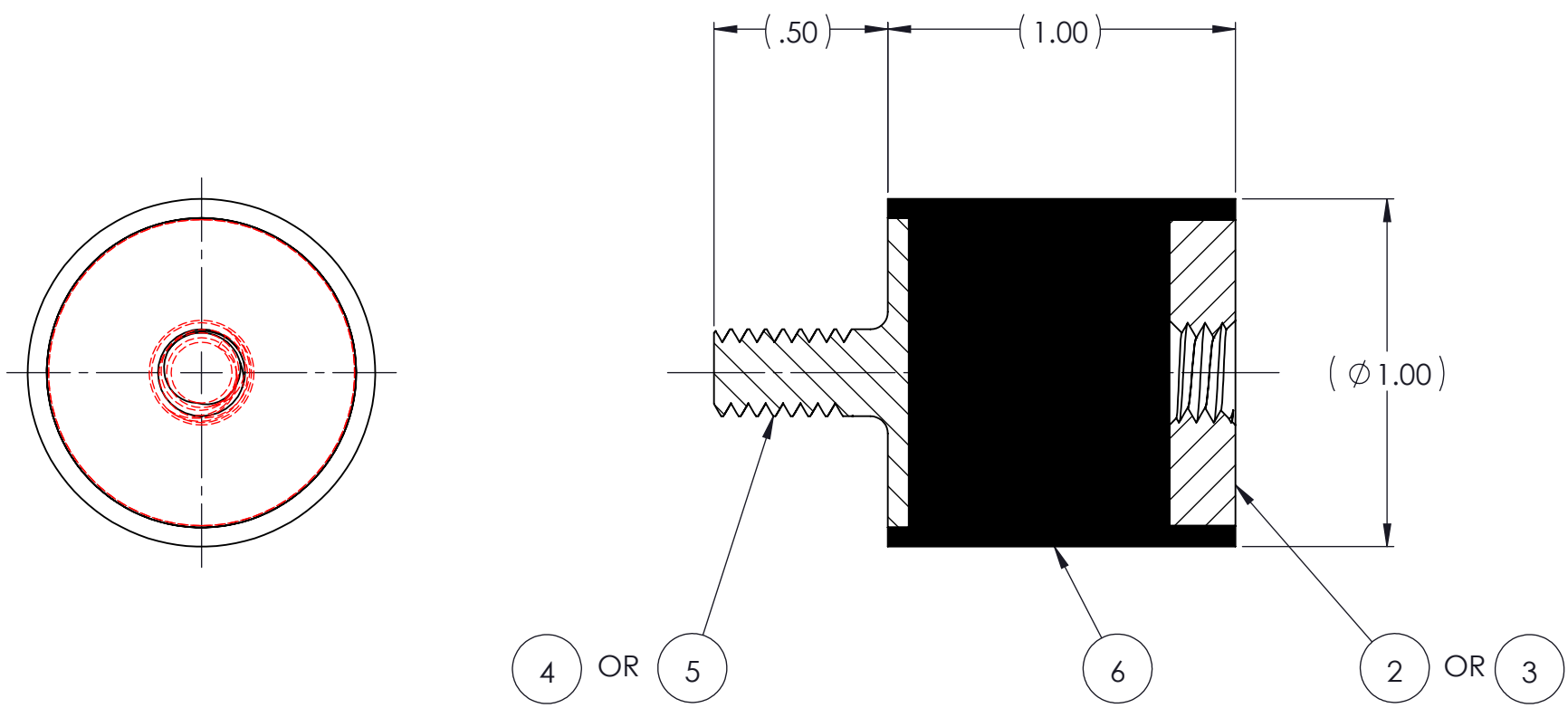
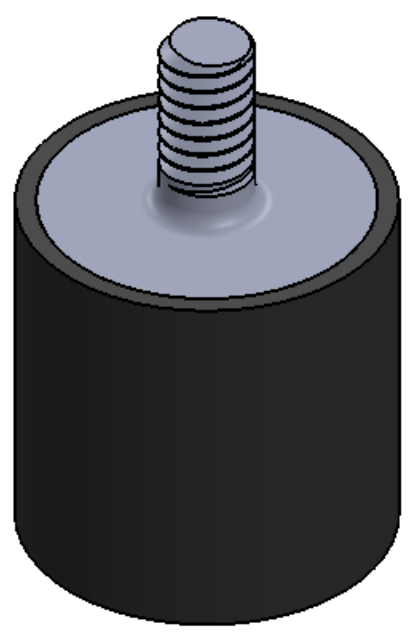


REVISIONS			
REV.	DESCRIPTION	DATE	APPROVED
1	INITIAL RELEASE OF DRAWING	9/26/2014	BS

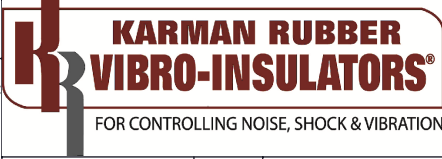


QTY.	DESCRIPTION	PART NUMBER	MATERIAL OR NOTES	ITEM
AR	ELASTOMER	K745-6	⚠	6
1	MK470-M6	MK470-M6		5
1	MK470-AA	MK470-AA		4
1	MK400M6T	MK400M6T		3
1	MK40020T	MK40020T		2
	K745	K745		1

- NOTES:
- ⚠ MATERIAL: ELASTOMER AND DUROMETER OF 40, 50, 60 OR 70 TO BE SPECIFIED.
 - 2 ALL DIMENSIONS ARE REFERENCE.
 - 3 AVAILABLE WITH THREADS OF 1/4-20 UNC AND M6 X 1.0.

	SIGNATURE	DATE
DRAWN	B. SENEAL	09/26/2014
CHECK	S. BROWN	09/26/2014
ENGR	B. SENEAL	09/26/2014
QA		
STRESS		
APPR		

UNLESS OTHERWISE SPECIFIED:
 DIMENSIONS ARE IN INCHES
 TOLERANCES:
 .X = ± 0.031
 .XXX = ± 0.005
 ANGLES = ± 1°
 INTERPRET GEOMETRIC TOLERANCING PER: ASME Y14.5M-1994



TITLE: K745 SERIES VIBRO-INSULATOR WWW.KARMAN.COM	
SIZE: B	CAGE CODE
DO NOT SCALE DRAWING	SCALE: 2:1
DWG. NO. K745	REV 1
WEIGHT: 1.15 OZ.	SHEET 1 OF 1