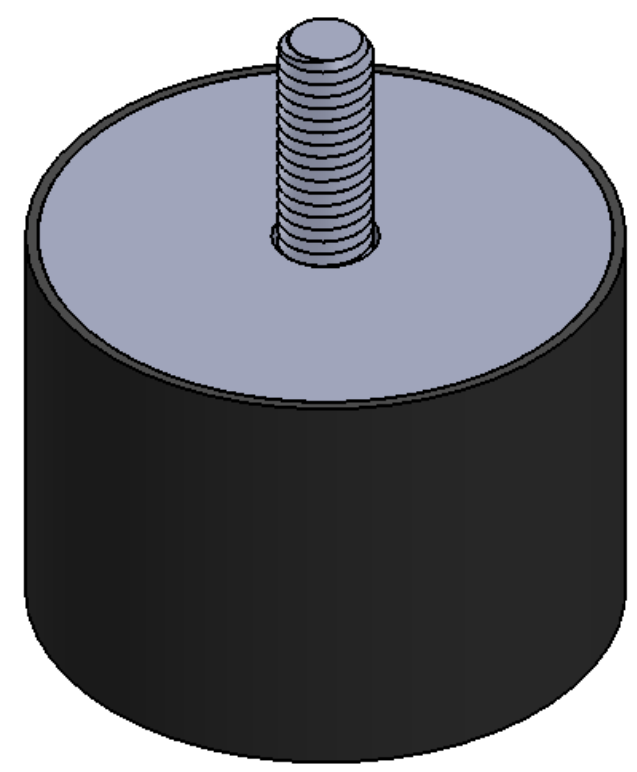
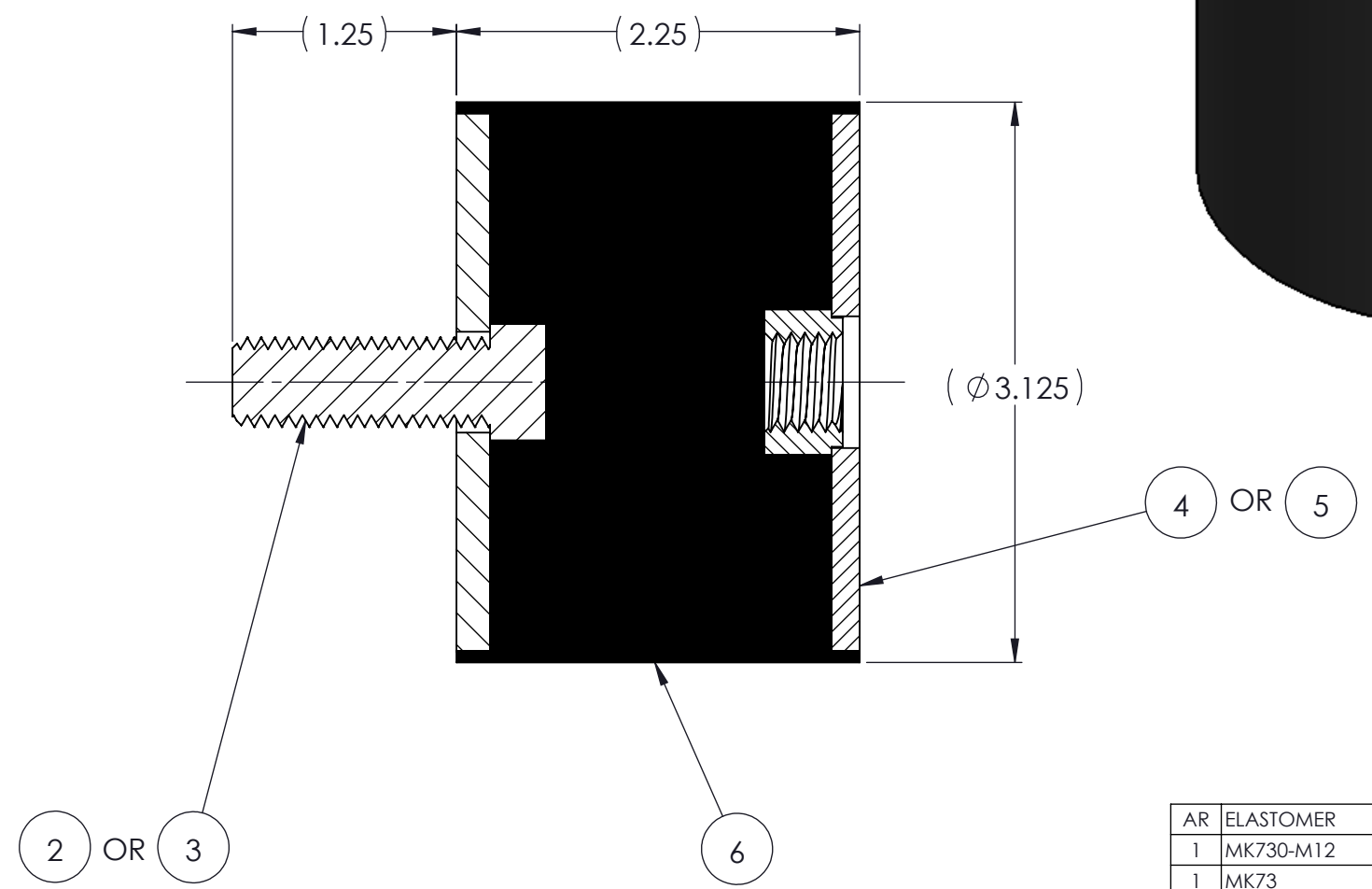
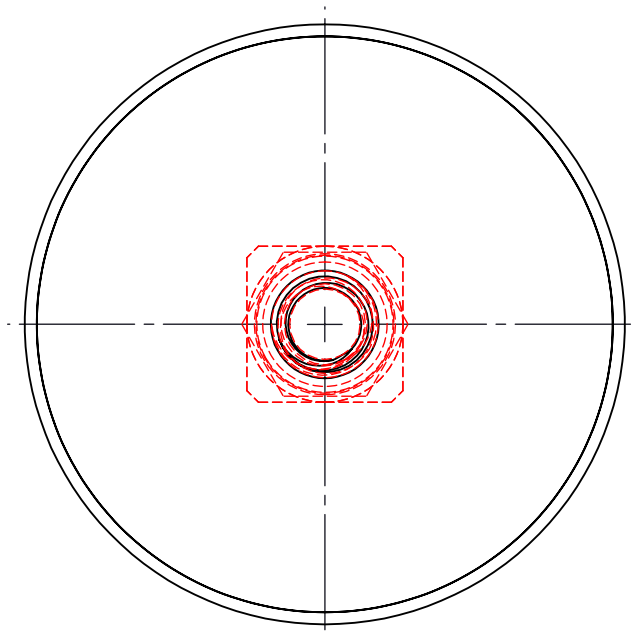


REVISIONS			
REV.	DESCRIPTION	DATE	APPROVED
1	INITIAL RELEASE OF DRAWING	9/30/2014	BS



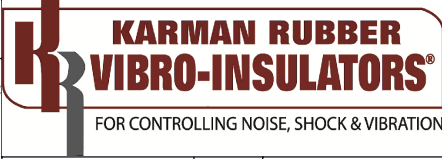
NOTES:

- 1 MATERIAL: ELASTOMER AND DUROMETER OF 40, 50, 60 OR 70 TO BE SPECIFIED'
- 2 ALL DIMENSIONS ARE REFERENCE.
- 3 AVAILABLE WITH THREADS OF 1/2-13 UNC AND M12 X 1.75.

QTY.	DESCRIPTION	PART NUMBER	MATERIAL OR NOTES	ITEM
AR	ELASTOMER	K725-6	1	6
1	MK730-M12	MK730-M12		5
1	MK73	MK73		4
1	MK720-M12	MK720-M12		3
1	MK720-PT	MK720-PT		2
	K725	K725		1

	SIGNATURE	DATE
DRAWN	B. SENEAL	09/30/2014
CHECK	S. BROWN	09/30/2014
ENGR	B. SENEAL	09/30/2014
QA		
STRESS		
APPR		

UNLESS OTHERWISE SPECIFIED:  
 DIMENSIONS ARE IN INCHES  
 TOLERANCES:  
 .X = ± 0.031  
 .XXX = ± 0.005  
 ANGLES = ± 1°  
 INTERPRET GEOMETRIC TOLERANCING PER: ASME Y14.5M-1994



TITLE: **K725 SERIES VIBRO-INSULATOR**  
[WWW.KARMAN.COM](http://WWW.KARMAN.COM)

SIZE	CAGE CODE	DWG. NO.	REV
<b>B</b>		<b>K725</b>	<b>1</b>

DO NOT SCALE DRAWING    SCALE: 1:1    WEIGHT: 1 LB 6 OZ.    SHEET 1 OF 1

PROPRIETARY AND CONFIDENTIAL  
 THE INFORMATION CONTAINED IN THIS DRAWING IS THE SOLE PROPERTY OF KARMAN RUBBER. ANY REPRODUCTION IN PART OR AS A WHOLE WITHOUT THE WRITTEN PERMISSION OF KARMAN RUBBER IS PROHIBITED.