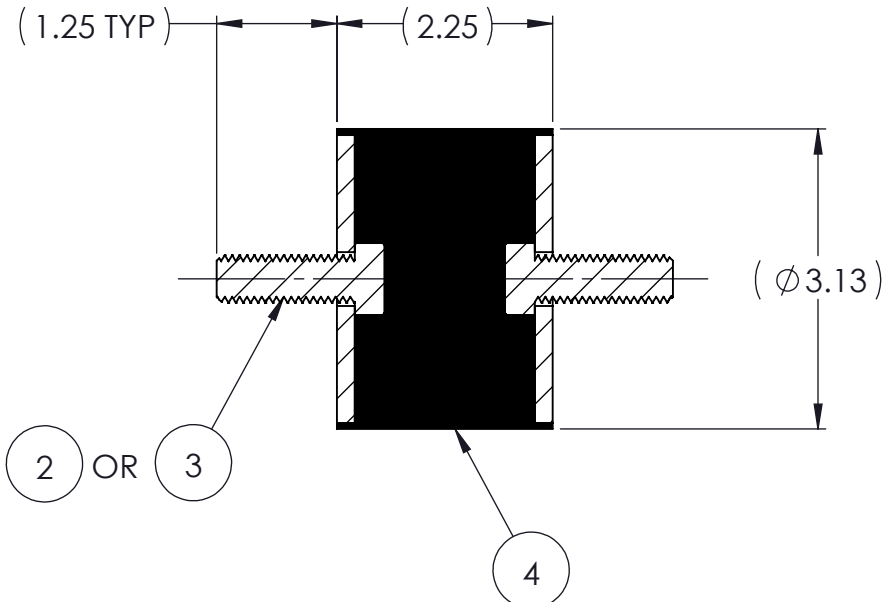
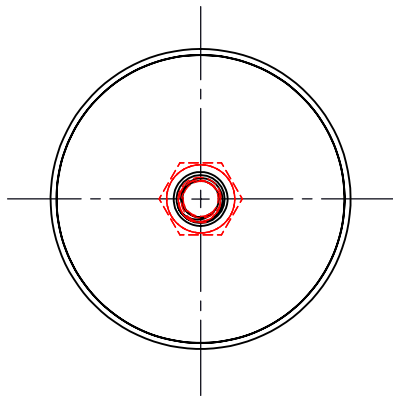
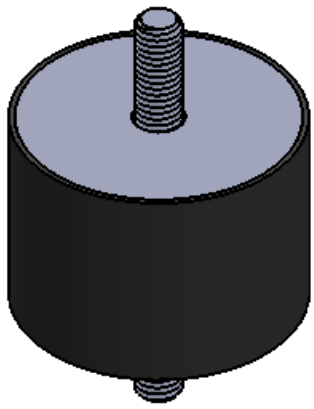


| REVISIONS | | | |
|-----------|--|-----------|----------|
| REV. | DESCRIPTION | DATE | APPROVED |
| 1 | INITIAL RELEASE OF DRAWING | 7/10/2014 | BS |
| 2 | ADD NOTE 3 TO SPECIFY AVAILABLE THREADS. | 8/12/2014 | BS |



NOTES:

- 1 MATERIAL: ELASTOMER AND DUROMETER OF 40, 50, 60 OR 70 TO BE SPECIFIED.
- 2 ALL DIMENSIONS ARE REFERENCE.
- 3 AVAILABLE WITH THREADS OF 1/2-13 UNC X 1-1/4" AND M12 X 1.75 X 1-1/4".

| QTY. | DESCRIPTION | PART NUMBER | MATERIAL OR NOTES | ITEM |
|------|-------------|-------------|-------------------|------|
| AR | ELASTOMER | K72-4 | 1 | 4 |
| 1 | MK720-M12 | MK720-M12 | | 3 |
| 1 | MK720-PT | MK720-PT | | 2 |
| | K72 | K72 | | 1 |

| PROPRIETARY AND CONFIDENTIAL | | SIGNATURE | DATE |
|--|--------|-----------|------------|
| THE INFORMATION CONTAINED IN THIS DRAWING IS THE SOLE PROPERTY OF KARMAN RUBBER. ANY REPRODUCTION IN PART OR AS A WHOLE WITHOUT THE WRITTEN PERMISSION OF KARMAN RUBBER IS PROHIBITED. | DRAWN | B. SENEAL | 07/10/2014 |
| | CHECK | S. BROWN | 07/10/2014 |
| | ENGR | B. SENEAL | 07/10/2014 |
| | QA | | |
| | STRESS | | |
| | APPR | | |

UNLESS OTHERWISE SPECIFIED:
 DIMENSIONS ARE IN INCHES
 TOLERANCES:
 .X =
 .XX = ± 0.031
 .XXX =
 ANGLES = ± 1°
 INTERPRET GEOMETRIC TOLERANCING PER: ASME Y14.5M-1994



| | | | |
|---|------------|---------------------|--------------|
| TITLE: K72 SERIES VIBRO-INSULATOR WWW.KARMAN.COM | | | |
| SIZE: B | CAGE CODE | DWG. NO. K72 | REV 2 |
| DO NOT SCALE DRAWING | SCALE: 1:2 | WEIGHT: 1 LB 8 OZ. | SHEET 1 OF 1 |