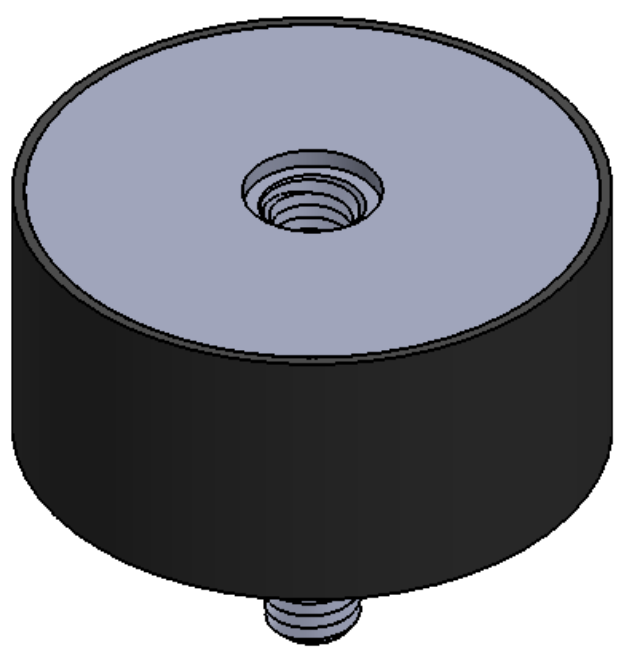
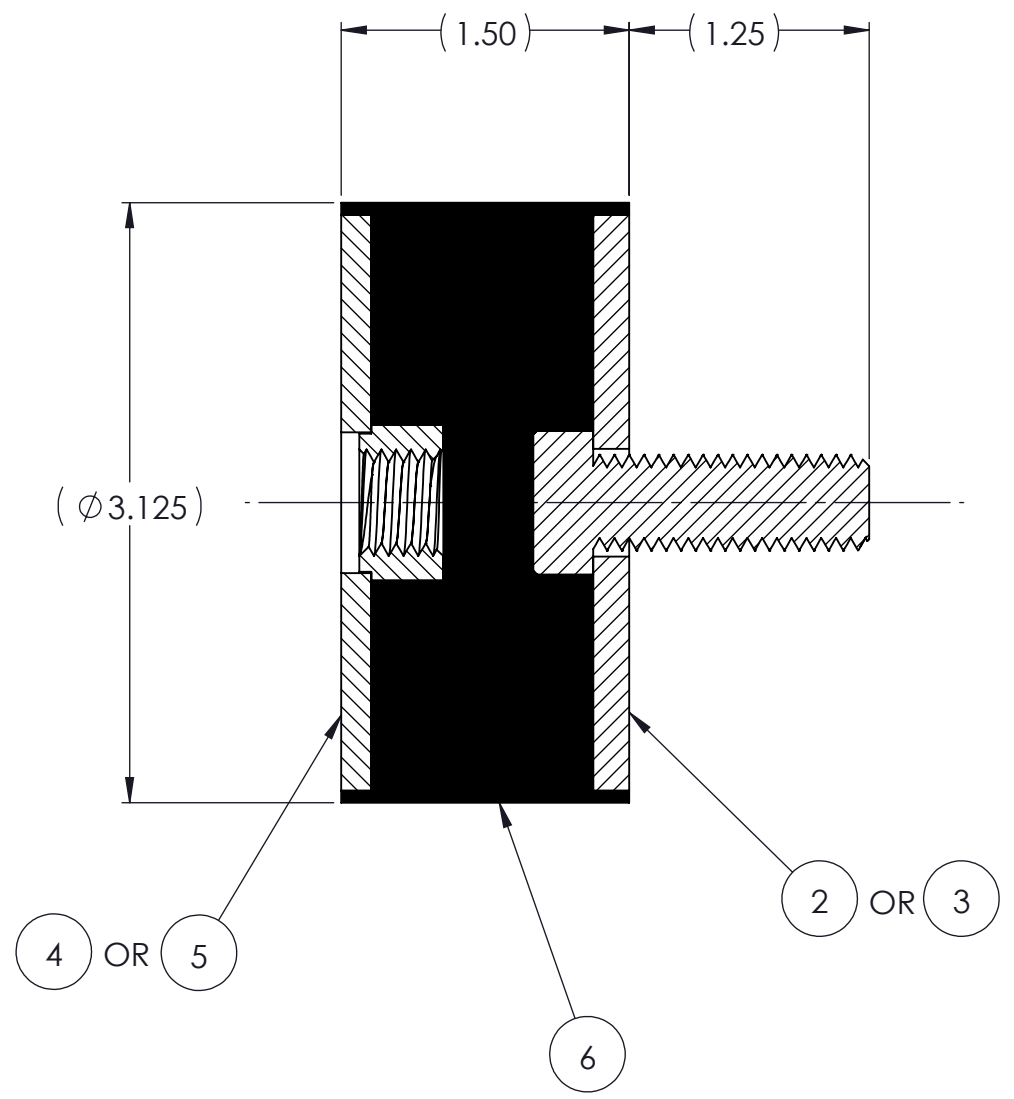
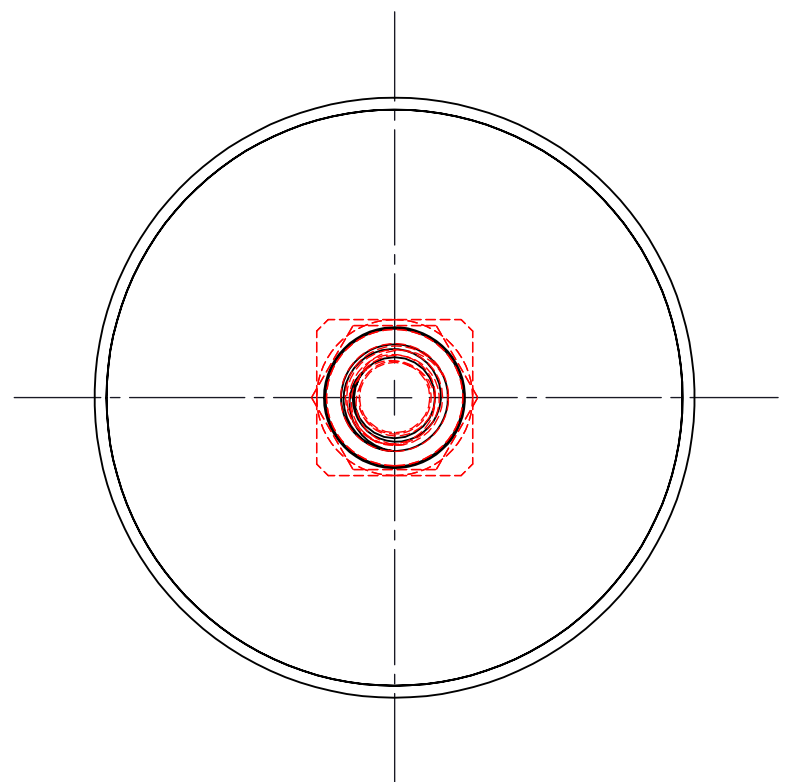


REVISIONS			
REV.	DESCRIPTION	DATE	APPROVED
1	INITIAL RELEASE OF DRAWING	11/23/2015	BS



NOTES:

- 1 MATERIAL: ELASTOMER AND DUROMETER OF 40, 50, 60 OR 70 TO BE SPECIFIED.
- 2 ALL DIMENSIONS ARE REFERENCE.
- 3 AVAILABLE WITH THREADS OF 1/2-13 UNC AND M12 X 1.75.

QTY.	DESCRIPTION	PART NUMBER	MATERIAL OR NOTES	ITEM
AR	ELASTOMER	K715-6	⚠	6
1	MK730M12	MK730M12		5
1	MK730	MK730		4
1	MK720-M12	MK720-M12		3
1	MK720-PT	MK720-PT		2
	MK715	K715		1

PROPRIETARY AND CONFIDENTIAL THE INFORMATION CONTAINED IN THIS DRAWING IS THE SOLE PROPERTY OF KARMAN RUBBER. ANY REPRODUCTION IN PART OR AS A WHOLE WITHOUT THE WRITTEN PERMISSION OF KARMAN RUBBER IS PROHIBITED.	SIGNATURE		DATE
	DRAWN	B. SENECAI	11/23/2015
	CHECK	S. BROWN	11/23/2015
	ENGR	B. SENECAI	11/23/2015
	QA		
STRESS			
APPR			

UNLESS OTHERWISE SPECIFIED:
 DIMENSIONS ARE IN INCHES
 TOLERANCES:
 .X =
 .XX = ± 0.031
 .XXX =
 ANGLES = ± 1°
 INTERPRET GEOMETRIC TOLERANCING PER: ASME Y14.5M-1994



TITLE: K715 SERIES VIBRO-INSULATOR WWW.KARMAN.COM		DWG. NO. K715	REV 1
SIZE B	CAGE CODE	SCALE: 1:1	WEIGHT: N/A
DO NOT SCALE DRAWING		SHEET 1 OF 1	