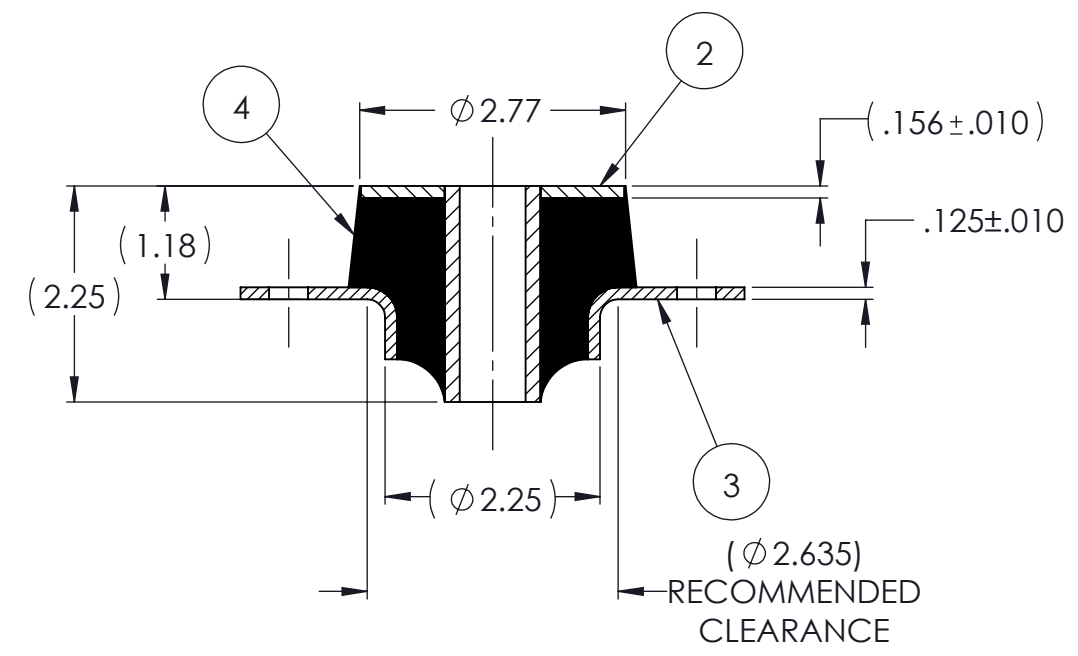
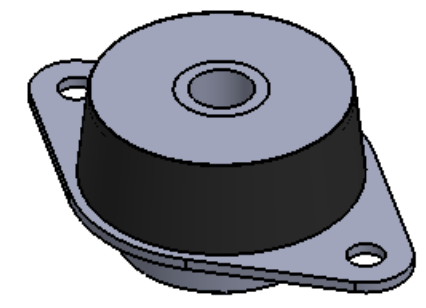
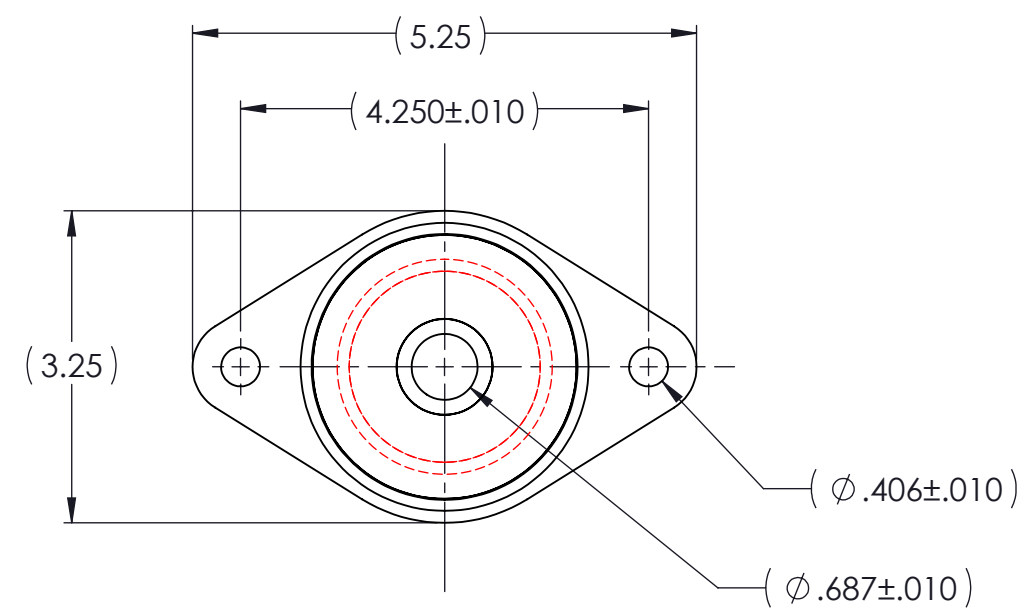


| REVISIONS | | | |
|-----------|--|-----------|----------|
| REV. | DESCRIPTION | DATE | APPROVED |
| 1 | INITIAL RELEASE OF DRAWING | 9/15/2014 | BS |
| 2 | Ø2.635 RECOMMENDED CLEARANCE WAS Ø2.635 MIN CLEARANCE. | 9/23/2014 | BS |



| QTY. | DESCRIPTION | PART NUMBER | MATERIAL OR NOTES | ITEM |
|------|-------------|-------------|-------------------|------|
| AR | ELASTOMER | K7060-4 | ⚠ | 4 |
| 1 | MK7060B | MK7060B | | 3 |
| 1 | MK7060 | MK7060 | | 2 |
| | K7060 | K7060 | | 1 |

NOTES:

- 1 MATERIAL: ELASTOMER AND DUROMETER OF 40, 50, 60 OR 70 TO BE SPECIFIED.
- 2 ALL DIMENSIONS ARE REFERENCE.

| PROPRIETARY AND CONFIDENTIAL | SIGNATURE | DATE | UNLESS OTHERWISE SPECIFIED: |
|---|-----------|------------|---|
| <small>THE INFORMATION CONTAINED IN THIS DRAWING IS THE SOLE PROPERTY OF KARMAN RUBBER. ANY REPRODUCTION IN PART OR AS A WHOLE WITHOUT THE WRITTEN PERMISSION OF KARMAN RUBBER IS PROHIBITED.</small> | DRAWN | B. SENECAI | DIMENSIONS ARE IN INCHES |
| | CHECK | S. BROWN | TOLERANCES: |
| | ENGR | B. SENECAI | .X = |
| | QA | | .XX = ± 0.031 |
| | STRESS | | .XXX = |
| APPR | | | ANGLES = ± 1° |
| | | | INTERPRET GEOMETRIC TOLERANCING PER: ASME Y14.5M-1994 |



TITLE: **K7060 SERIES VIBRO-INSULATOR**
WWW.KARMAN.COM

| SIZE | CAGE CODE | DWG. NO. | REV |
|-----------------------------|-----------|--------------|-----------------------------------|
| B | | K7060 | 2 |
| DO NOT SCALE DRAWING | | SCALE: 1:2 | WEIGHT: 1 LB 2.5 OZ. SHEET 1 OF 1 |