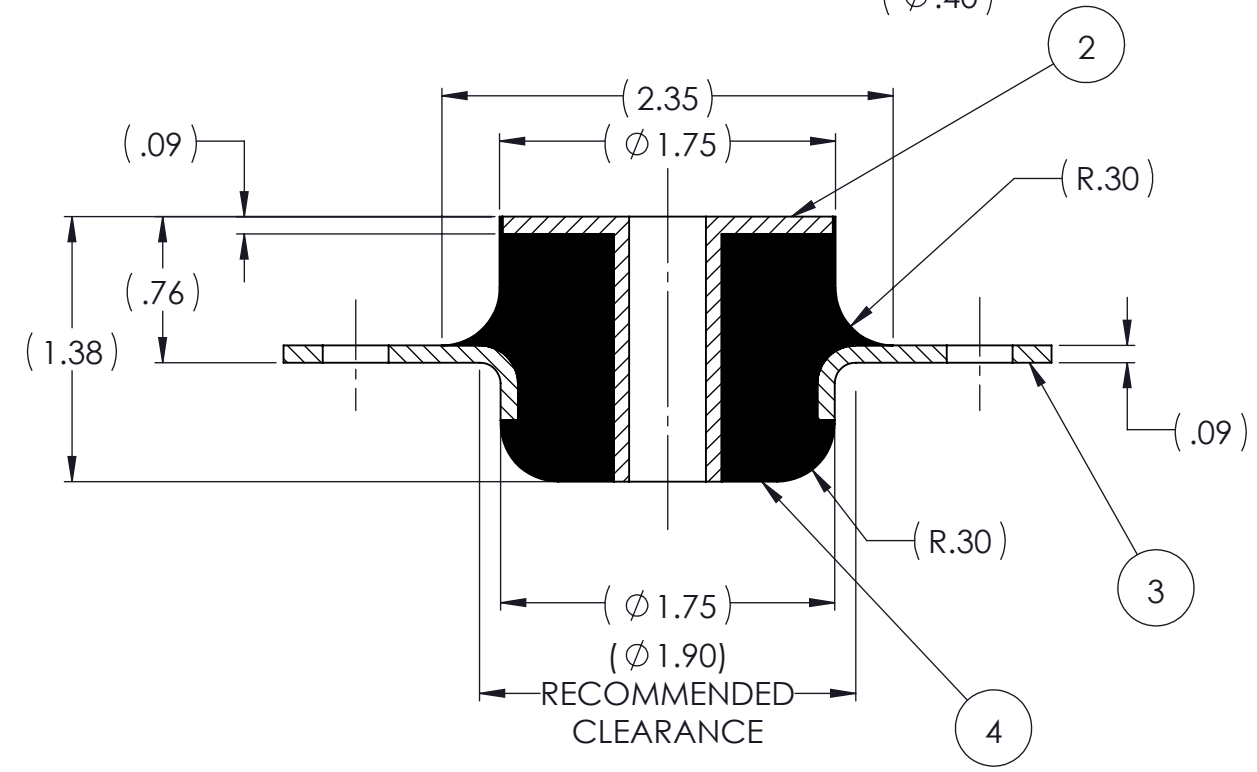
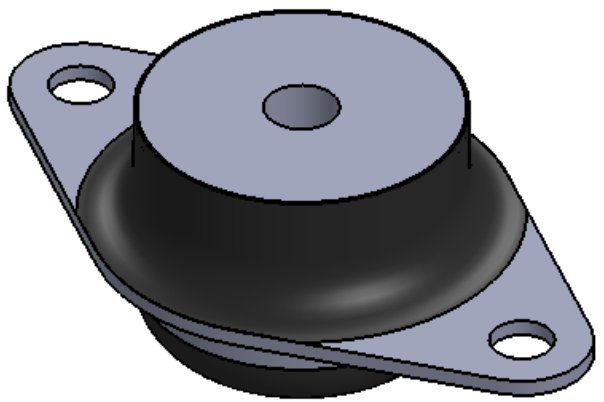
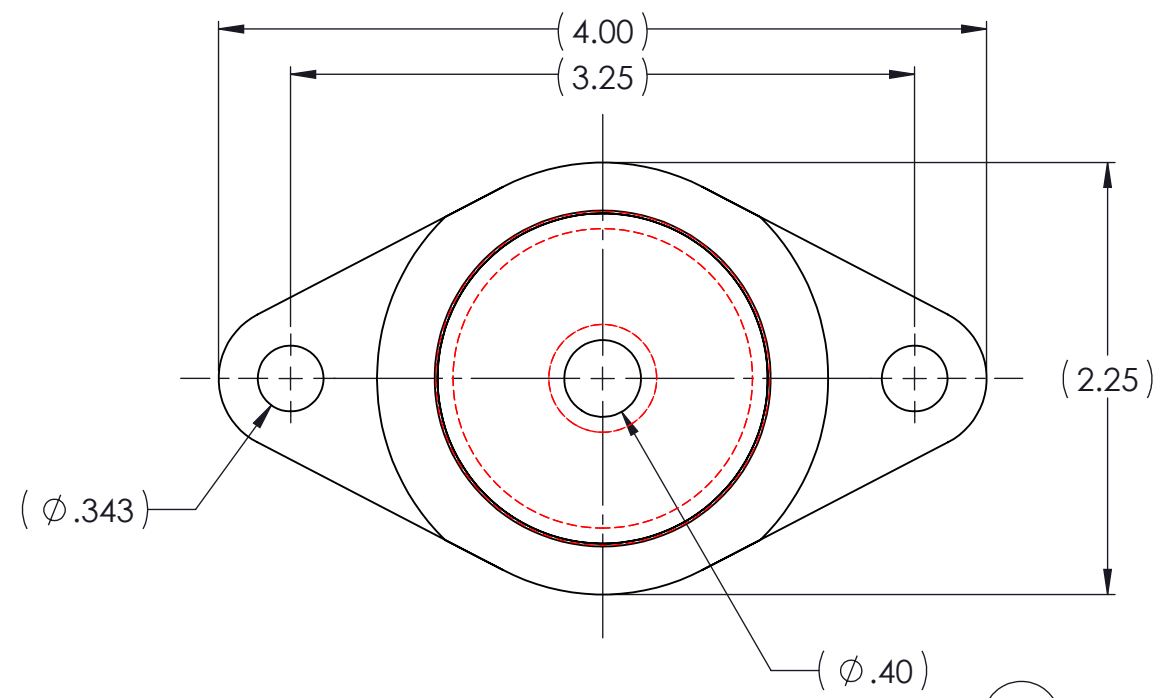


REVISIONS			
REV.	DESCRIPTION	DATE	APPROVED
1	INITIAL RELEASE OF DRAWING	10/7/2014	BS
2	ADD 2.25 WIDTH DIMENSION	10/21/2014	BS



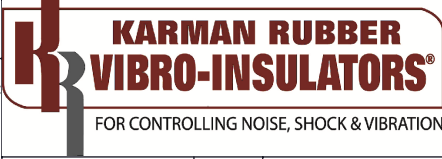
NOTES:

- 1 MATERIAL: ELASTOMER AND DUROMETER OF 40, 50, 60 OR 70 TO BE SPECIFIED.
- 2 ALL DIMENSIONS ARE REFERENCE.

PROPRIETARY AND CONFIDENTIAL	SIGNATURE	DATE	UNLESS OTHERWISE SPECIFIED:
<small>THE INFORMATION CONTAINED IN THIS DRAWING IS THE SOLE PROPERTY OF KARMAN RUBBER. ANY REPRODUCTION IN PART OR AS A WHOLE WITHOUT THE WRITTEN PERMISSION OF KARMAN RUBBER IS PROHIBITED.</small>	DRAWN	B. SENECAI	10/07/2014
	CHECK	S. BROWN	10/07/2014
	ENGR	B. SENECAI	10/07/2014
	QA		
	STRESS		
	APPR		

DIMENSIONS ARE IN INCHES
TOLERANCES:
.X =
.XX = ± 0.030
.XXX =
ANGLES = ± 1°
INTERPRET GEOMETRIC TOLERANCING PER: ASME Y14.5M-1994

QTY.	DESCRIPTION	PART NUMBER	MATERIAL OR NOTES	ITEM
AR	ELASTOMER	K7020S-4	1	4
1	MK7020B	MK7020B		3
1	MK7020	MK7020		2
	K7020S	K7020S		1



TITLE: **K7020S SERIES VIBRO-INSULATOR**
WWW.KARMAN.COM

SIZE	CAGE CODE	DWG. NO.	REV
B		K7020S	2
DO NOT SCALE DRAWING		SCALE: 1:1	WEIGHT: 4.55 OZ. SHEET 1 OF 1