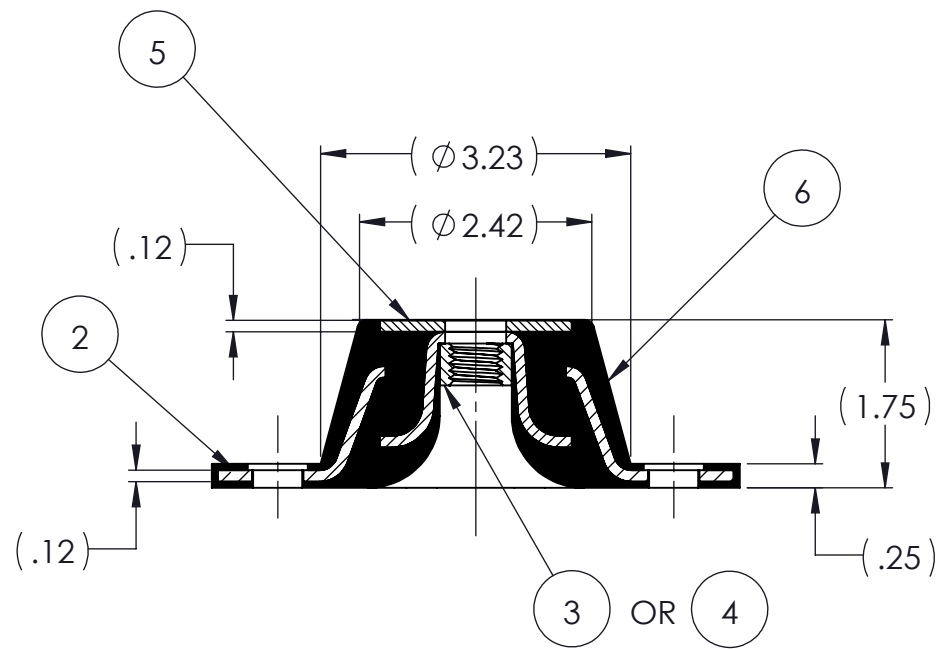
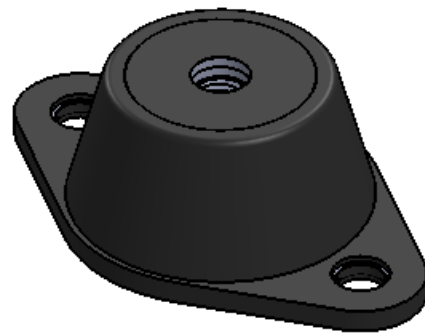
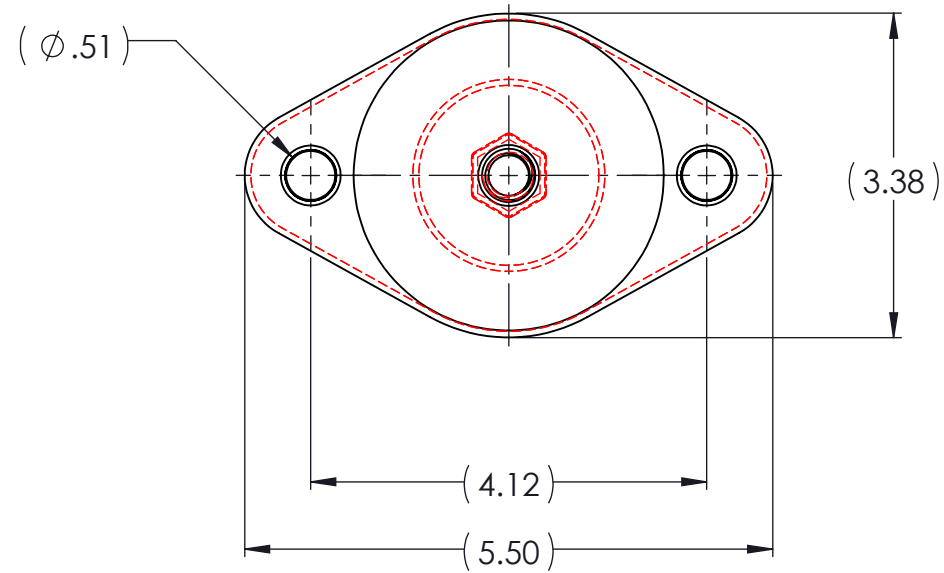


REVISIONS			
REV.	DESCRIPTION	DATE	APPROVED
1	INITIAL RELEASE OF DRAWING	12/19/2014	BS
2	ADD DIMENSIONS AND REVISE NOTE 1 TO INCLUDES 30 DUROMETER.	1/2/2015	BS
3	BASE PLATE THICKNESS IS .12.	2/10/2015	BS



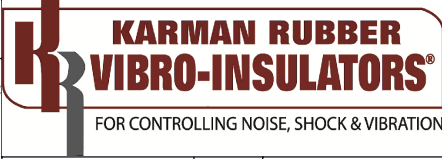
QTY.	DESCRIPTION	PART NUMBER	MATERIAL OR NOTES	ITEM
	AR ELASTOMER	K698-6		6
1	MK698W	MK698W		5
1	MK610I-M12	MK610I-M12		4
1	MK610I	MK610I		3
1	MK610B	MK610B		2
	K698	K698		1

NOTES:

- 1 MATERIAL: ELASTOMER AND DUROMETER OF 30, 40, 50, 60 OR 70 TO BE SPECIFIED.
- 2 ALL DIMENSIONS ARE REFERENCE.
- 3 AVAILABLE WITH THREADS OF 1/2-13 UNC AND M12 X 1.75.

PROPRIETARY AND CONFIDENTIAL		SIGNATURE	DATE
THE INFORMATION CONTAINED IN THIS DRAWING IS THE SOLE PROPERTY OF KARMAN RUBBER. ANY REPRODUCTION IN PART OR AS A WHOLE WITHOUT THE WRITTEN PERMISSION OF KARMAN RUBBER IS PROHIBITED.	DRAWN	B. SENECAI	12/19/2014
	CHECK	S. BROWN	12/19/2014
	ENGR	B. SENECAI	12/19/2014
	QA		
	STRESS		
	APPR		

UNLESS OTHERWISE SPECIFIED:  
 DIMENSIONS ARE IN INCHES  
 TOLERANCES:  
 .X =  
 .XX = ± 0.031  
 .XXX =  
 ANGLES = ± 1°  
 INTERPRET GEOMETRIC TOLERANCING PER: ASME Y14.5M-1994



TITLE: **K698 SERIES VIBRO-INSULATOR**  
[WWW.KARMAN.COM](http://WWW.KARMAN.COM)

SIZE	CAGE CODE	DWG. NO.	REV
<b>B</b>		<b>K698</b>	<b>3</b>
DO NOT SCALE DRAWING		SCALE: 1:2	WEIGHT: N/A
		SHEET 1 OF 1	