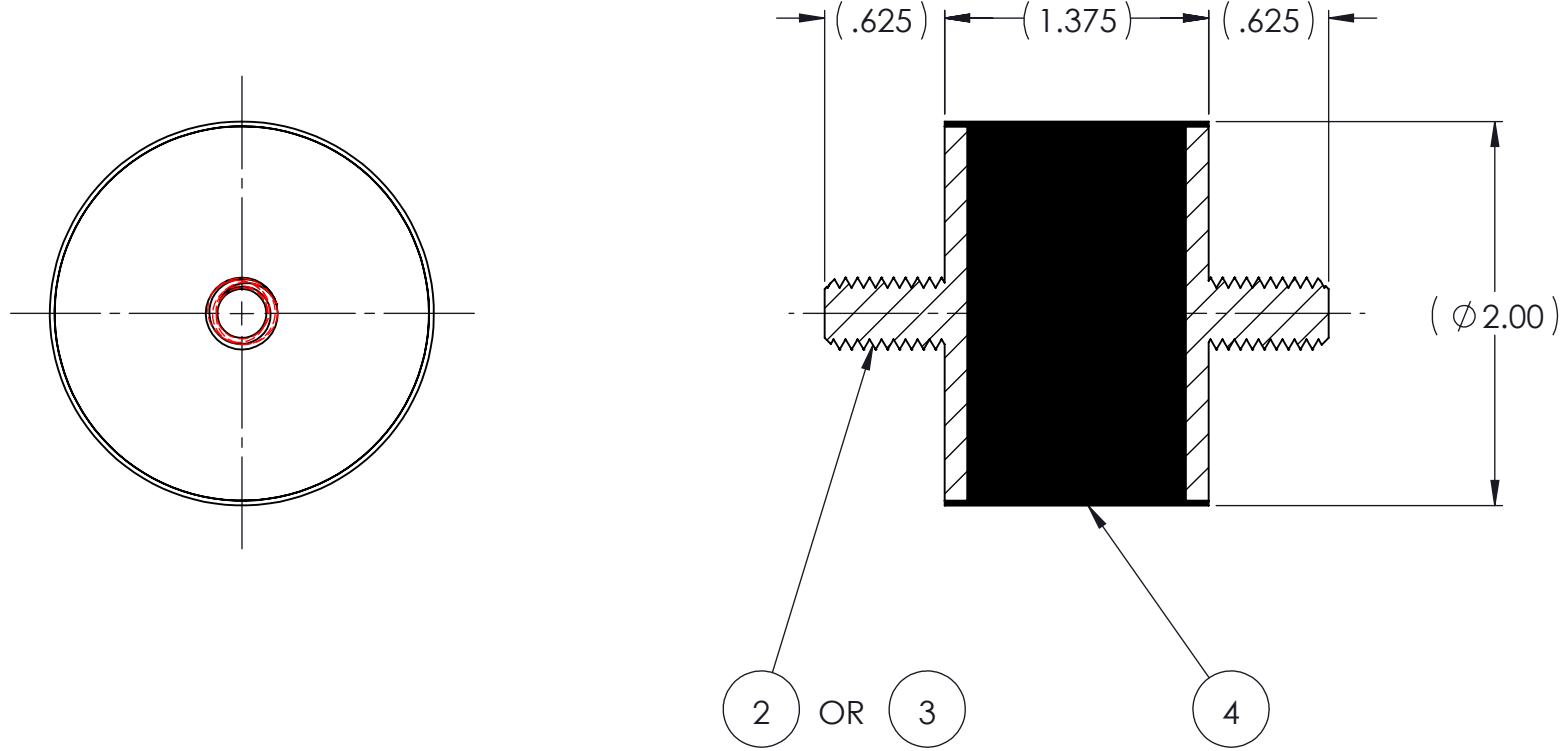
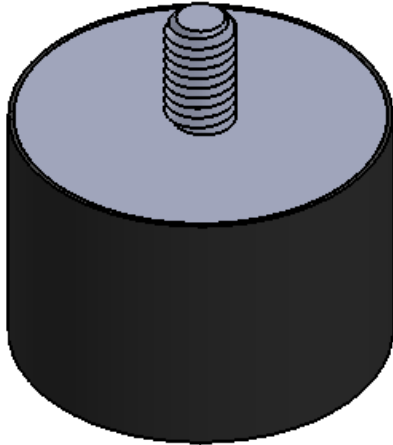


REVISIONS			
REV.	DESCRIPTION	DATE	APPROVED
1	INITIAL RELEASE OF DRAWING	10/17/2014	BS



AR	DESCRIPTION	PART NUMBER	MATERIAL OR NOTES	ITEM
AR	ELASTOMER	K662-4	1	4
2	MK650-M10	MK650-M10		3
2	MK650	MK650		2
	K662	K662		1

- NOTES:
- 1 MATERIAL: ELASTOMER AND DUROMETER OF 40, 50, 60 OR 70 TO BE SPECIFIED.
 - 2 ALL DIMENSIONS ARE REFERENCE.
 - 3 AVAILABLE WITH THREADS OF 3/8-16 UNC AND M10 X 1.5.

PROPRIETARY AND CONFIDENTIAL THE INFORMATION CONTAINED IN THIS DRAWING IS THE SOLE PROPERTY OF KARMAN RUBBER. ANY REPRODUCTION IN PART OR AS A WHOLE WITHOUT THE WRITTEN PERMISSION OF KARMAN RUBBER IS PROHIBITED.	SIGNATURE		DATE
	DRAWN	B. SENEAL	10/17/2014
	CHECK	S. BROWN	10/17/2014
	ENGR	B. SENEAL	10/17/2014
	QA		
STRESS			
APPR			

UNLESS OTHERWISE SPECIFIED:
 DIMENSIONS ARE IN INCHES
 TOLERANCES:
 .X =
 .XX = ± 0.031
 .XXX =
 ANGLES = ± 1°
 INTERPRET GEOMETRIC TOLERANCING PER: ASME Y14.5M-1994



TITLE: K662 SERIES VIBRO-INSULATOR WWW.KARMAN.COM		DWG. NO. K662		REV 1
SIZE B	CAGE CODE	SCALE: 1:1	WEIGHT: N/A	SHEET 1 OF 1

DO NOT SCALE DRAWING