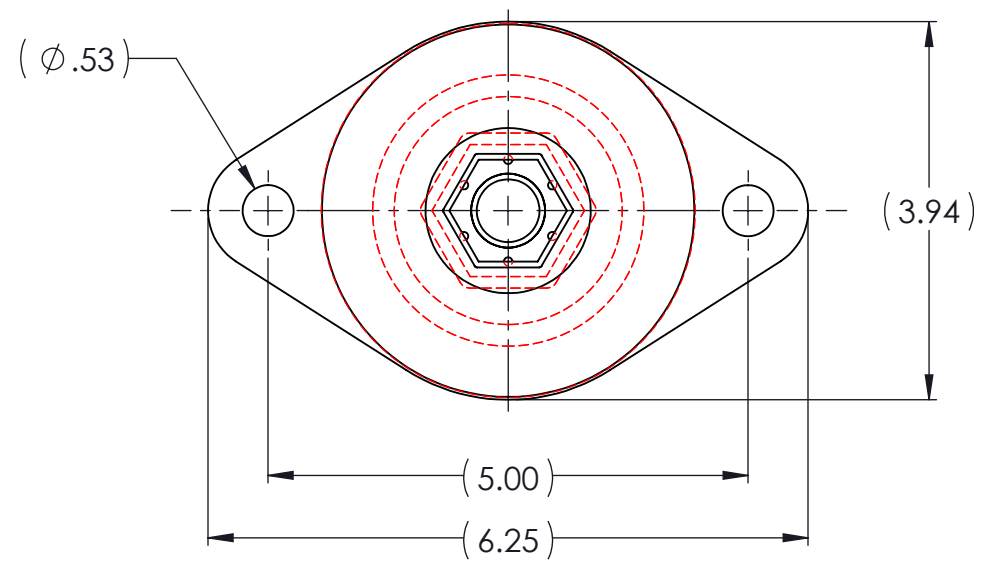
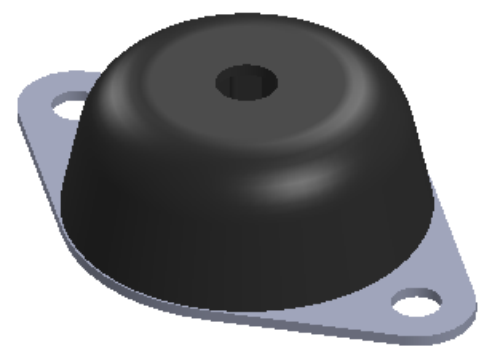
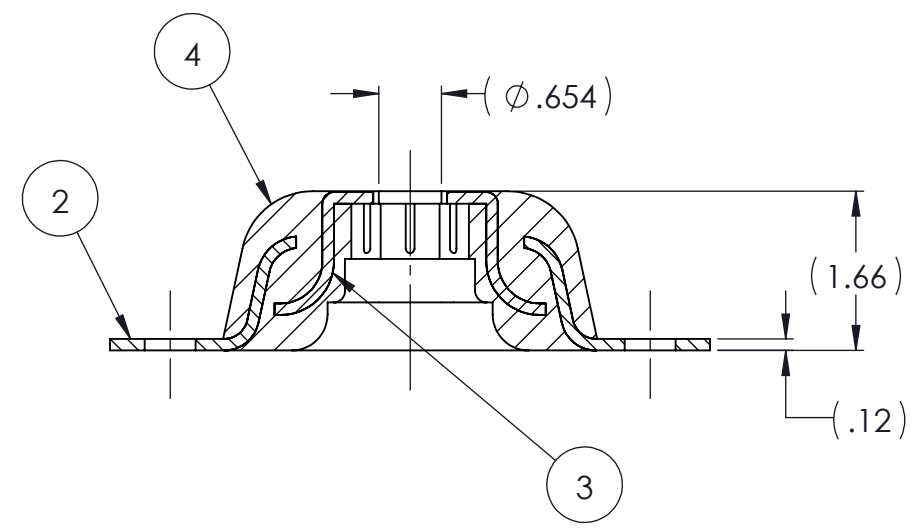


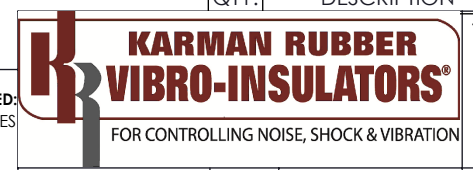
REVISIONS			
REV.	DESCRIPTION	DATE	APPROVED
1	INITIAL RELEASE OF DRAWING	6/8/2015	BS



NOTES:

- 1 MATERIAL: ELASTOMER AND DUROMETER OF 40, 50, 60 OR 70 TO BE SPECIFIED.
- 2 ALL DIMENSIONS ARE REFERENCE.
- 3 THIS PART IS DESIGNED TO BE USED WITH A 5/8" HEAVY HEX NUT.

PROPRIETARY AND CONFIDENTIAL	SIGNATURE	DATE	UNLESS OTHERWISE SPECIFIED:
<small>THE INFORMATION CONTAINED IN THIS DRAWING IS THE SOLE PROPERTY OF KARMAN RUBBER. ANY REPRODUCTION IN PART OR AS A WHOLE WITHOUT THE WRITTEN PERMISSION OF KARMAN RUBBER IS PROHIBITED.</small>	DRAWN	B. SENEAL	<small>DIMENSIONS ARE IN INCHES TOLERANCES: .X = ± 0.031 .XXX = ± 1° INTERPRET GEOMETRIC TOLERANCING PER: ASME Y14.5M-1994</small>
	CHECK	S. BROWN	
	ENGR	B. SENEAL	
	QA		
	STRESS		
	APPR		



TITLE: **K62-S SERIES VIBRO-INSULATOR**
WWW.KARMAN.COM

QTY.	DESCRIPTION	PART NUMBER	MATERIAL OR NOTES	ITEM
	AR ELASTOMER	K62-S-4	1	4
1	MK620A	MK620A		3
1	MK620B	MK620B		2
	K62-S	K62-S		1

SIZE	CAGE CODE	DWG. NO.	REV
B		K62-S	1
DO NOT SCALE DRAWING		SCALE: 1:2	WEIGHT: N/A
			SHEET 1 OF 1