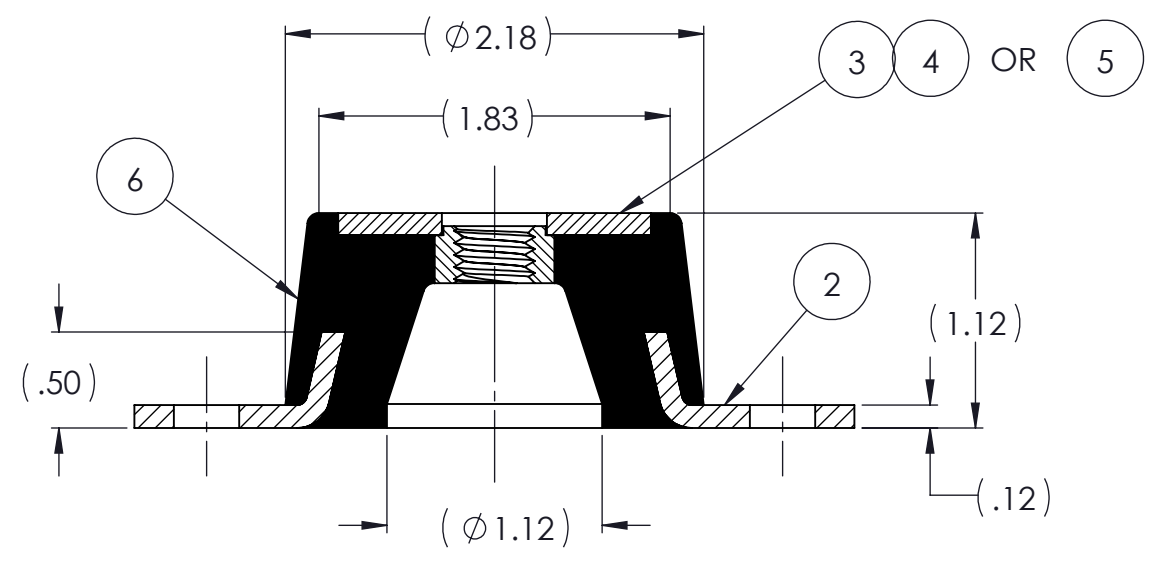
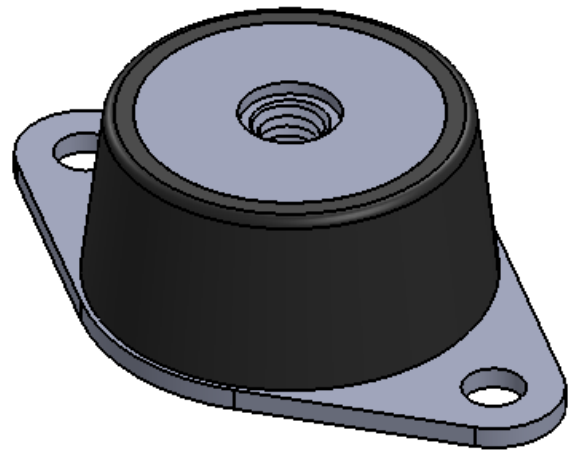
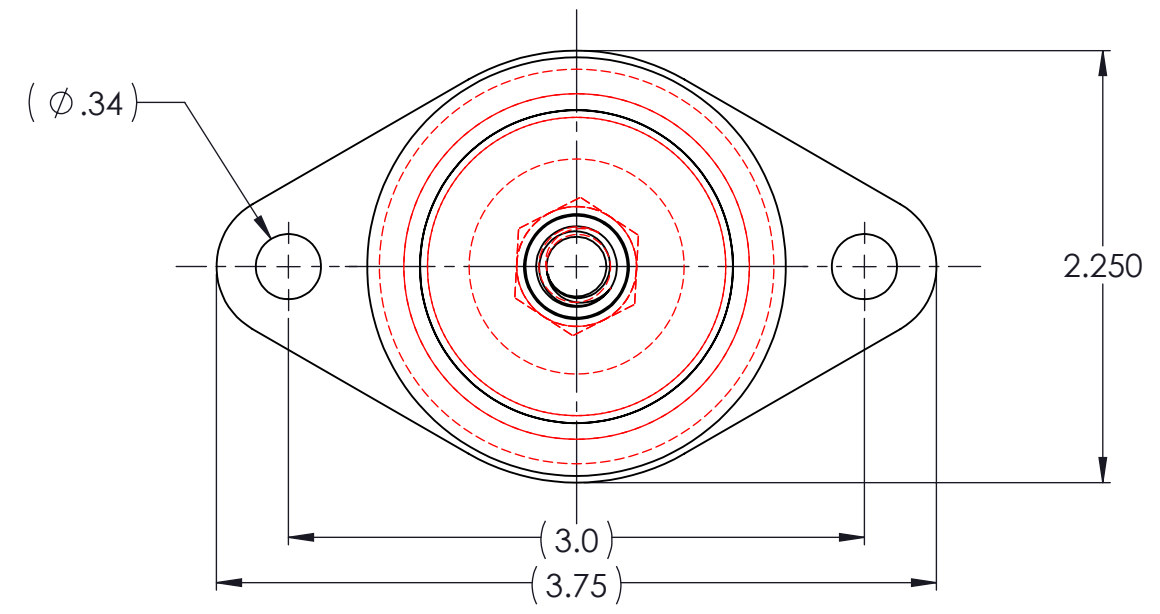


REVISIONS			
REV.	DESCRIPTION	DATE	APPROVED
1	INITIAL RELEASE OF DRAWING	9/1/2014	BS
2	REPOSITION 2.25 WIDTH DIMENSION	9/24/2014	BS



QTY.	DESCRIPTION	PART NUMBER	MATERIAL OR NOTES	ITEM
	ELASTOMER	K60-6	⚠	6
1	MK600-M10	MK600-M10		5
1	MK600B	MK600B		4
1	MK600A	MK600A		3
1	MK600R	MK600R		2
	K60	K60		1

NOTES:

- ⚠ MATERIAL: ELASTOMER AND DUROMETER OF 40, 50, 60 OR 70 TO BE SPECIFIED.
- 2 ALL DIMENSIONS ARE REFERENCE.
- 3 AVAILABLE WITH THREADS OF 3/8-16 UNC, 1/2-20 UNF AND M10 X 1.5.

PROPRIETARY AND CONFIDENTIAL THE INFORMATION CONTAINED IN THIS DRAWING IS THE SOLE PROPERTY OF KARMAN RUBBER. ANY REPRODUCTION IN PART OR AS A WHOLE WITHOUT THE WRITTEN PERMISSION OF KARMAN RUBBER IS PROHIBITED.	SIGNATURE		DATE
	DRAWN	B. SENEAL	09/01/2014
	CHECK	S. BROWN	09/01/2014
	ENGR	B. SENEAL	09/01/2014
	QA		
	STRESS		
APPR			

UNLESS OTHERWISE SPECIFIED:
DIMENSIONS ARE IN INCHES
TOLERANCES:
.X = ± 0.031
.XXX = ± 1°
ANGLES = ± 1°
INTERPRET GEOMETRIC TOLERANCING PER: ASME Y14.5M-1994



TITLE: **K60 SERIES VIBRO-INSULATOR**
WWW.KARMAN.COM

SIZE	CAGE CODE	DWG. NO.	REV
B		K60	2
DO NOT SCALE DRAWING		SCALE: 1:1	WEIGHT: 5.40 OZ. SHEET 1 OF 1