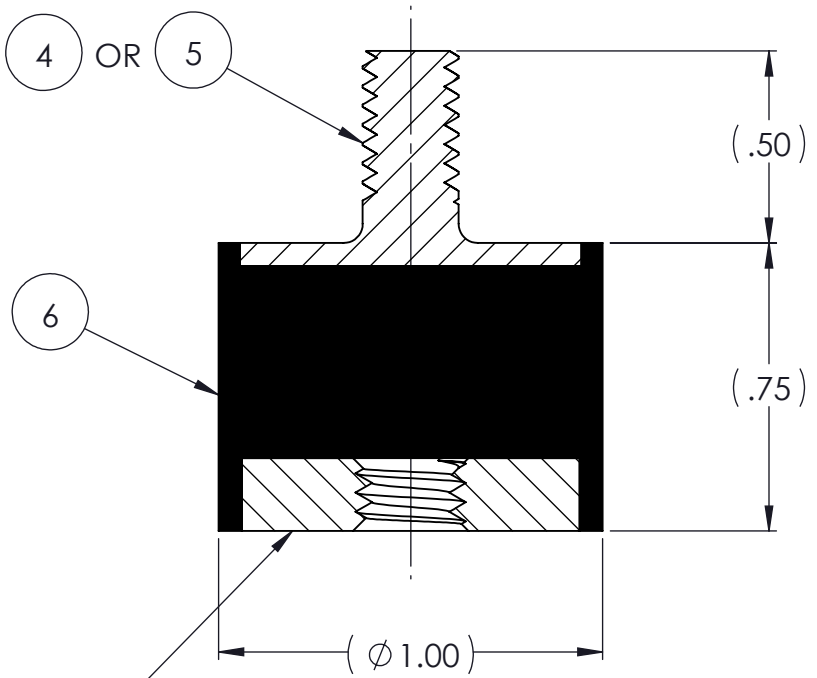
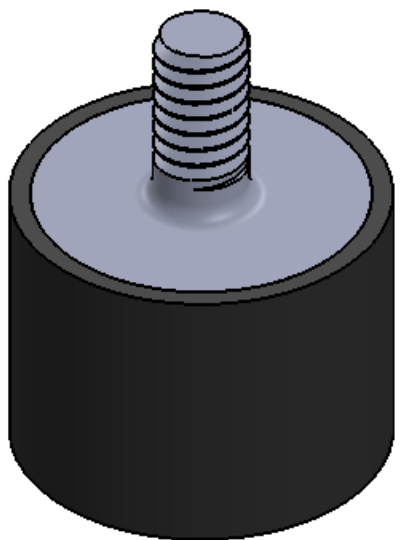
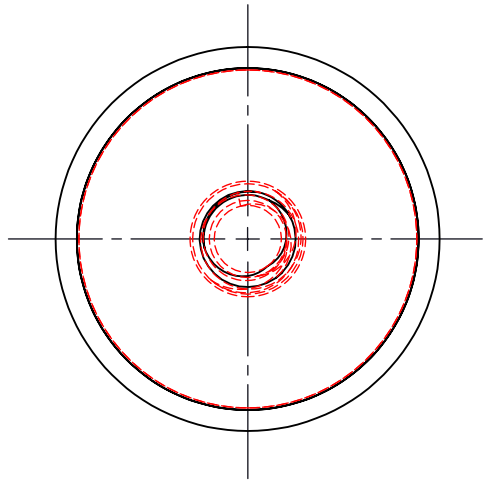


REVISIONS			
REV.	DESCRIPTION	DATE	APPROVED
1	INITIAL RELEASE OF DRAWING	9/26/2014	BS



AR	ELASTOMER	K475-6	⚠	6
1	MK470-M6	MK470-M6		5
1	MK470-AA	MK470-AA		4
1	MK400M6T	MK400M6T		3
1	MK40020T	MK40020T		2
	K475	K475		1
QTY.	DESCRIPTION	PART NUMBER	MATERIAL OR NOTES	ITEM

NOTES:

- 1 MATERIAL: ELASTOMER AND DUROMETER OF 40, 50, 60 OR 70 TO BE SPECIFIED.
- 2 ALL DIMENSIONS ARE REFERENCE.
- 3 AVAILABLE WITH THREADS OF 1/4-20 UNC AND M6 X 1.0.

PROPRIETARY AND CONFIDENTIAL THE INFORMATION CONTAINED IN THIS DRAWING IS THE SOLE PROPERTY OF KARMAN RUBBER. ANY REPRODUCTION IN PART OR AS A WHOLE WITHOUT THE WRITTEN PERMISSION OF KARMAN RUBBER IS PROHIBITED.	SIGNATURE		DATE
	DRAWN	B. SENEAL	09/26/2014
	CHECK	S. BROWN	09/26/2014
	ENGR	B. SENEAL	09/26/2014
	QA		
	STRESS		
APPR			

UNLESS OTHERWISE SPECIFIED:
DIMENSIONS ARE IN INCHES
TOLERANCES:
.X = ± 0.031
.XXX = ± 1°
ANGLES = ± 1°
INTERPRET GEOMETRIC TOLERANCING PER: ASME Y14.5M-1994



TITLE: K475 SERIES VIBRO-INSULATOR WWW.KARMAN.COM	
SIZE B	CAGE CODE
DO NOT SCALE DRAWING	SCALE: 2:1
DWG. NO. K475	REV 1
WEIGHT: 1.10 OZ.	SHEET 1 OF 1